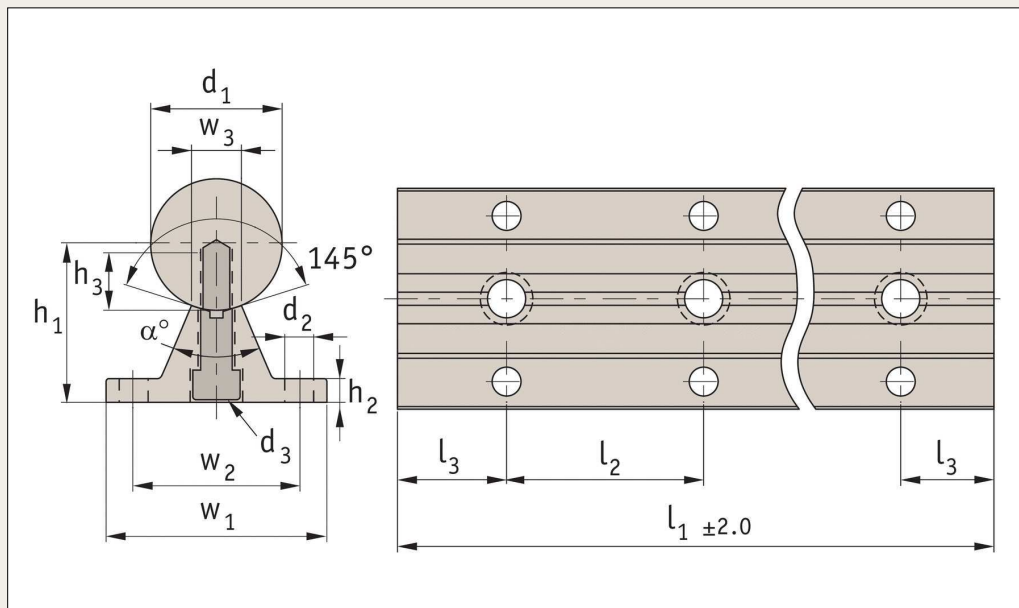


12Ø Shaft Support Rails

complete shaft and rail

Linear Shaft
Supports



L1780.12

Material

Hardened and ground carbon steel shaft (070M55, Cf53 - DIN 1.1213), aluminium alloy support rail. Surface hardness of steel shaft 60-65 HRC.

Technical notes

For open linear bushings, ensures a very rigid and stiff system. The shaft is pre-mounted to the shaft support rail. Standard lengths are shown which allow the distance to the first and last hole to be equal (ie $l_3/2$). Different holes pitches available on request.

Tips

For linear carriages see part no. L1755 (flanged) or L1752 (unflanged). Stainless steel carriages also available, see part no. L1756 (flanged) or L1753 (unflanged). On request a stainless steel (usually 440C) shaft can be mounted on the support rail.

Order No.	d_1 h6	l_1	$h_1 \pm 0,01$	l_2	w_1	w_2	w_3	d_2	d_3	h_2	h_3	l_3	α°
L1780.12-0240	12	240	22	120	40	29	5,8	4,5	M4x20	5	8	60	50
L1780.12-0360	12	360	22	120	40	29	5,8	4,5	M4x20	5	8	60	50
L1780.12-0480	12	480	22	120	40	29	5,8	4,5	M4x20	5	8	60	50
L1780.12-0600	12	600	22	120	40	29	5,8	4,5	M4x20	5	8	60	50
L1780.12-0720	12	720	22	120	40	29	5,8	4,5	M4x20	5	8	60	50
L1780.12-0840	12	840	22	120	40	29	5,8	4,5	M4x20	5	8	60	50
L1780.12-0960	12	960	22	120	40	29	5,8	4,5	M4x20	5	8	60	50
L1780.12-1080	12	1080	22	120	40	29	5,8	4,5	M4x20	5	8	60	50
L1780.12-1200	12	1200	22	120	40	29	5,8	4,5	M4x20	5	8	60	50
L1780.12-1320	12	1320	22	120	40	29	5,8	4,5	M4x20	5	8	60	50
L1780.12-1440	12	1440	22	120	40	29	5,8	4,5	M4x20	5	8	60	50
L1780.12-1560	12	1560	22	120	40	29	5,8	4,5	M4x20	5	8	60	50
L1780.12-1680	12	1680	22	120	40	29	5,8	4,5	M4x20	5	8	60	50
L1780.12-1800	12	1800	22	120	40	29	5,8	4,5	M4x20	5	8	60	50
L1780.12-1920	12	1920	22	120	40	29	5,8	4,5	M4x20	5	8	60	50
L1780.12-2040	12	2040	22	120	40	29	5,8	4,5	M4x20	5	8	60	50
L1780.12-2160	12	2160	22	120	40	29	5,8	4,5	M4x20	5	8	60	50
L1780.12-2280	12	2280	22	120	40	29	5,8	4,5	M4x20	5	8	60	50
L1780.12-2400	12	2400	22	120	40	29	5,8	4,5	M4x20	5	8	60	50
L1780.12-2520	12	2520	22	120	40	29	5,8	4,5	M4x20	5	8	60	50
L1780.12-2640	12	2640	22	120	40	29	5,8	4,5	M4x20	5	8	60	50
L1780.12-2760	12	2760	22	120	40	29	5,8	4,5	M4x20	5	8	60	50
L1780.12-2880	12	2880	22	120	40	29	5,8	4,5	M4x20	5	8	60	50
L1780.12-3000	12	3000	22	120	40	29	5,8	4,5	M4x20	5	8	60	50
L1780.12-3120	12	3120	22	120	40	29	5,8	4,5	M4x20	5	8	60	50
L1780.12-3240	12	3240	22	120	40	29	5,8	4,5	M4x20	5	8	60	50
L1780.12-3360	12	3360	22	120	40	29	5,8	4,5	M4x20	5	8	60	50

Tel: 01483 26 67 74
Fax: 01483 26 67 75

Email: info@automotioncomponents.co.uk
Web: automotioncomponents.co.uk

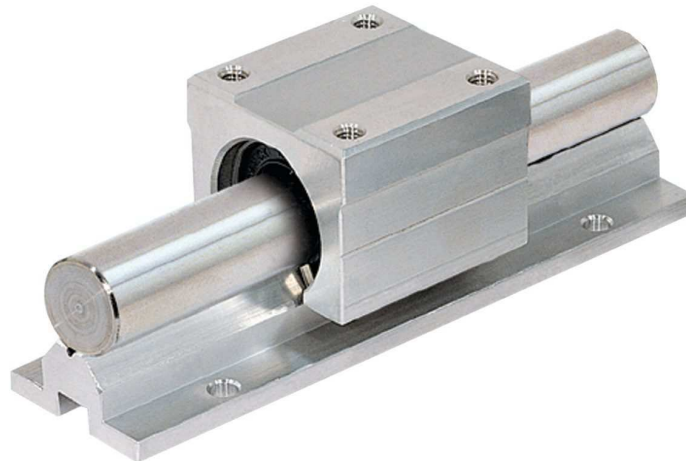
AUTOMOTION®
COMPONENTS

12Ø Shaft Support Rails

complete shaft and rail

Linear Shaft
Supports

Order No.	d ₁ h ₆	l ₁	h ₁ ±0,01	l ₂	w ₁	w ₂	w ₃	d ₂	d ₃	h ₂	h ₃	l ₃	α°
L1780.12-3480	12	3480	22	120	40	29	5,8	4,5	M4x20	5	8	60	50
L1780.12-3600	12	3600	22	120	40	29	5,8	4,5	M4x20	5	8	60	50
L1780.12-3720	12	3720	22	120	40	29	5,8	4,5	M4x20	5	8	60	50
L1780.12-3840	12	3840	22	120	40	29	5,8	4,5	M4x20	5	8	60	50
L1780.12-3960	12	3960	22	120	40	29	5,8	4,5	M4x20	5	8	60	50
L1780.12-4080	12	4080	22	120	40	29	5,8	4,5	M4x20	5	8	60	50
L1780.12-4200	12	4200	22	120	40	29	5,8	4,5	M4x20	5	8	60	50
L1780.12-4320	12	4320	22	120	40	29	5,8	4,5	M4x20	5	8	60	50
L1780.12-4440	12	4440	22	120	40	29	5,8	4,5	M4x20	5	8	60	50
L1780.12-4560	12	4560	22	120	40	29	5,8	4,5	M4x20	5	8	60	50
L1780.12-4680	12	4680	22	120	40	29	5,8	4,5	M4x20	5	8	60	50
L1780.12-4800	12	4800	22	120	40	29	5,8	4,5	M4x20	5	8	60	50
L1780.12-4920	12	4920	22	120	40	29	5,8	4,5	M4x20	5	8	60	50
L1780.12-5040	12	5040	22	120	40	29	5,8	4,5	M4x20	5	8	60	50
L1780.12-5160	12	5150	22	120	40	29	5,8	4,5	M4x20	5	8	60	50
L1780.12-5280	12	5280	22	120	40	29	5,8	4,5	M4x20	5	8	60	50
L1780.12-5400	12	5400	22	120	40	29	5,8	4,5	M4x20	5	8	60	50
L1780.12-5520	12	5520	22	120	40	29	5,8	4,5	M4x20	5	8	60	50
L1780.12-5640	12	5640	22	120	40	29	5,8	4,5	M4x20	5	8	60	50
L1780.12-5760	12	5760	22	120	40	29	5,8	4,5	M4x20	5	8	60	50
L1780.12-5880	12	5880	22	120	40	29	5,8	4,5	M4x20	5	8	60	50
L1780.12-6000	12	6000	22	120	40	29	5,8	4,5	M4x20	5	8	60	50



Tel: 01483 26 67 74
Fax: 01483 26 67 75

Email: info@automotioncomponents.co.uk
Web: automotioncomponents.co.uk

AUTOMOTION®
COMPONENTS