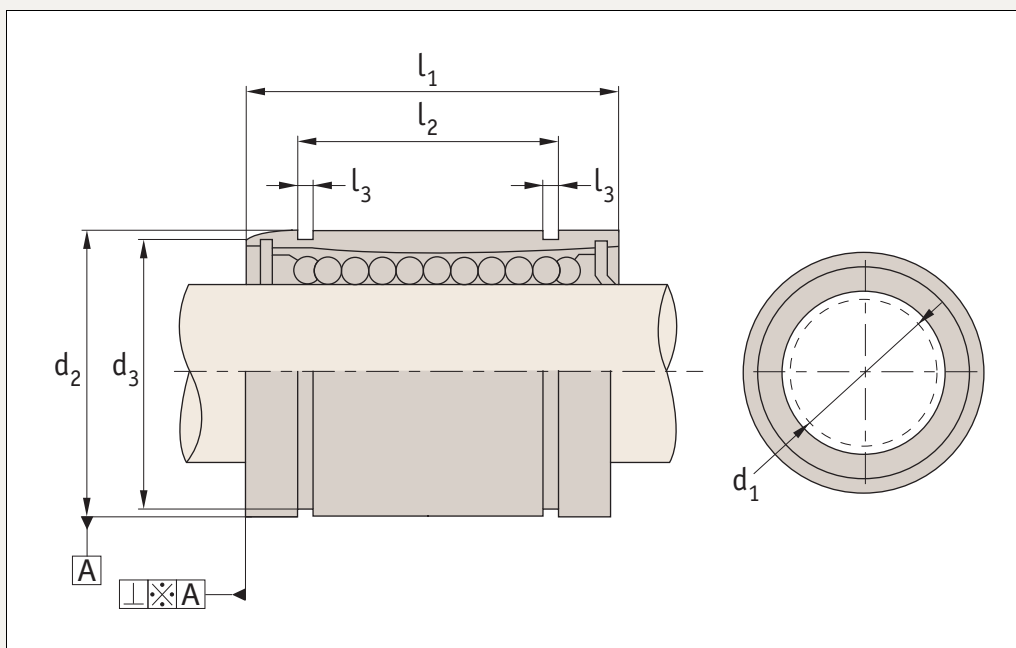




L1712



Material

Hardened and ground body from bearing steel.
Single body resin retainer (POM).
Supplied with nitrile rubber (NBR) end-seals -UU as standard.

Technical Notes

For use with hardened shafts only (see part nos. L1770 - L1772) - tolerance h6.
Perpendicularity $\perp A$ is better than 15μ .
Temperature range: -20°C to $+80^{\circ}\text{C}$.
Steel ball retainers can be supplied for higher temperature applications up to

$+120^{\circ}\text{C}$ - with no end seals. Please advise at time of ordering if this is required.

Tips

Nickel plated version with stainless steel balls (for corrosion resistance) on request - or stainless steel version no. L1713.

Order No.	d_1 H6	d_2 h6	l_1	d_3	l_2	l_3	No. of ball circuits	Max. dynamic load C N	Max. static load C_0 N	Δ g
L1712.008	8	16	45	15,2	33,0	1,10	4	430	780	31
L1712.012	12	22	57	21,0	45,8	1,30	4	650	1200	80
L1712.016	16	26	70	24,9	49,8	1,30	5	1230	2350	145
L1712.020	20	32	80	30,3	61,0	1,60	5	1400	2750	180
L1712.025	25	40	112	38,0	82,0	1,85	6	1560	3140	440
L1712.030	30	47	123	44,5	104,2	1,85	6	2490	5490	580
L1712.040	40	62	154	59,0	121,2	2,15	6	3430	8040	1170
L1712.050	50	75	192	72,0	155,2	2,65	6	6080	15900	3100
L1712.060	60	90	211	86,5	170,0	3,15	6	7650	20000	3500