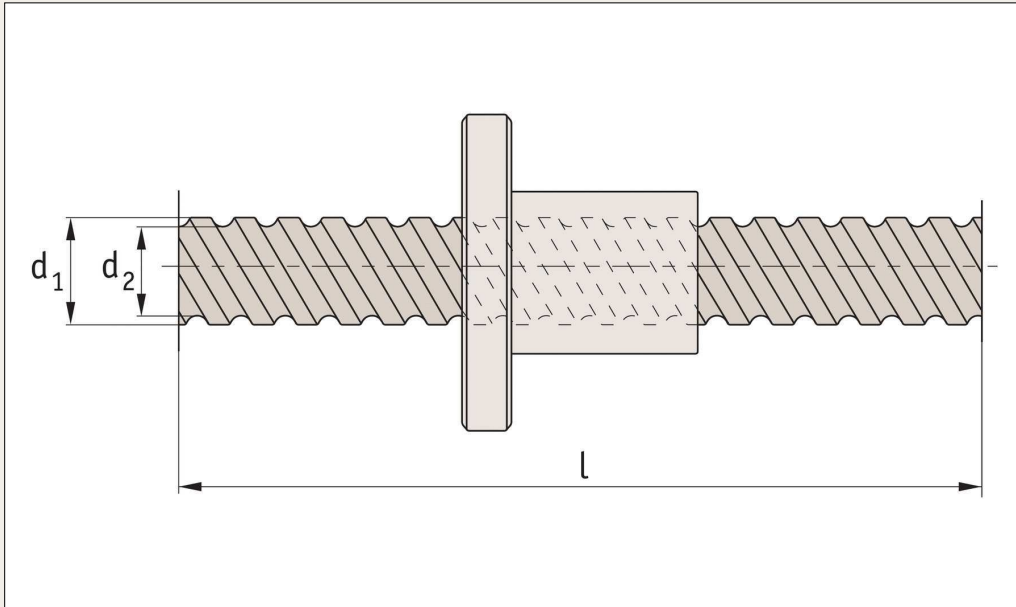


High Helix Lead Screws - Stainless

lead screw only (to suit L1350 nuts)

Lead Screws and Nuts



L1349

Material

Stainless steel screw (SUS 304).

Technical notes

High precision.
The 'lead' refers to the distance the

nut will travel for one complete revolution of the thread.
Order corresponding lead screw- see part L1350.

Order No.	d ₁	Lead	l	d ₂ core
L1349.04-01-0.2	4	1	200	3,3
L1349.04-02-0.2	4	2	200	3,3
L1349.06-01-0.3	6	1	300	5,3
L1349.06-02-0.3	6	2	300	5,3
L1349.06-09-0.3	6	9	300	5,4
L1349.06-18-0.3	6	18	300	5,6
L1349.08-01-0.3	8	1	300	7,3
L1349.08-02-0.3	8	2	300	6,6
L1349.08-12-0.4	8	12	400	6,7
L1349.08-24-0.4	8	24	400	7,5
L1349.10-02-0.3	10	2	300	8,6
L1349.10-06-1.0	10	6	1000	8,0
L1349.10-10-1.0	10	10	1000	8,0
L1349.10-15-0.5	10	15	450	8,4
L1349.10-30-0.5	10	30	450	8,9
L1349.12-02-0.3	12	2	300	10,6
L1349.12-04-1.0	12	4	1000	10,0
L1349.12-08-1.0	12	8	1000	9,8
L1349.12-12-1.0	12	12	1000	10,3
L1349.12-18-0.5	12	18	500	10,6
L1349.12-36-0.5	12	36	500	10,9
L1349.15-05-2.0	15	5	2000	12,2
L1349.15-10-2.0	15	10	2000	12,3
L1349.15-20-2.0	15	20	2000	12,6
L1349.20-10-2.0	20	10	2000	17,5
L1349.20-20-2.0	20	20	2000	17,6

Tel: 01483 26 67 74
Fax: 01483 26 67 75

Email: info@automotioncomponents.co.uk
Web: automotioncomponents.co.uk

AUTOMOTION®
COMPONENTS