

L1764

Material

Aluminium with aluminium-oxide ceramic coating (4-7 μ). Hardness >80 HRC.

Technical notes

Concentricity is better than 15 μ . Available with or without seals, if seals are required, please contact our sales team.

Temperature range: -130°C to +200°C.

Tips

Can be run on hardened or soft steel shafts, tolerance h6, all part no. L1770-L1776. For dynamic load ratings, this is linked to PV (pressure velocity) - see technical pages for calculations. Load ratings are straight compressive

loads on a horizontal. They do not take into account moment loads or orientations such as inverse or vertical arrangements.

Bore tolerances: -0.000, +
¹ 0.038-0.065
² 0.047-0.074
³ 0.049-0.089
⁴ 0.122-0.173

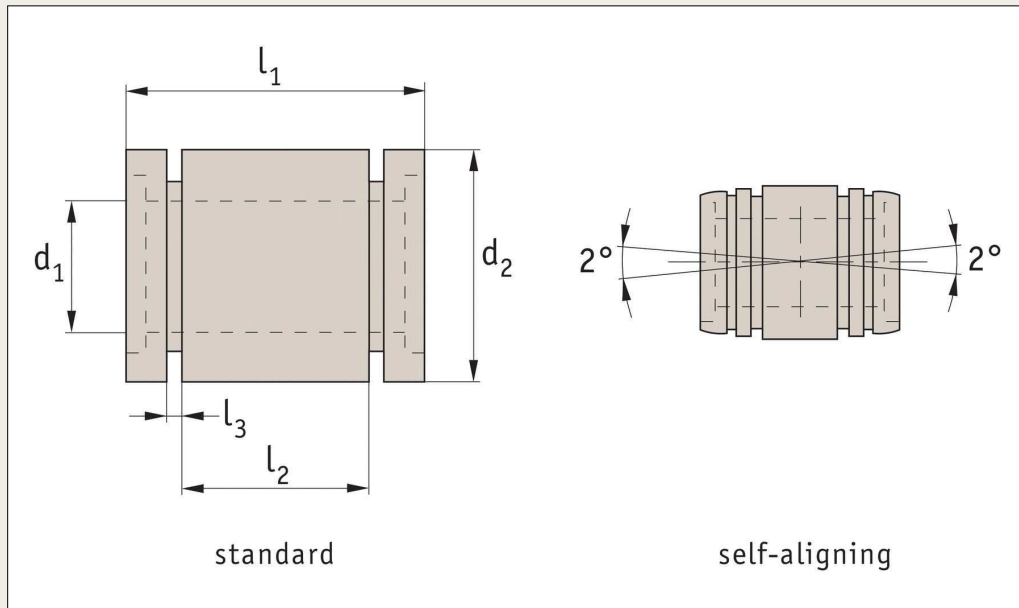
e.g. $d_1 = 5^{-0.000,+0.038-0.065}$

Order No.	Type	d_1 -0.000,+ see tips	d_2 h7	l_1 h14	l_2 h13	l_3	Max. static load C_0 kN
L1764.005	Standard	5 ¹	12	22	12	1,10	2,4
L1764.008	Standard	8 ¹	16	25	14	1,10	4,3
L1764.012	Standard	12 ¹	22	32	20	1,30	8,2
L1764.016	Standard	16 ¹	26	36	22	1,30	12,0
L1764.020	Standard	20 ²	32	45	28	1,60	19,0
L1764.025	Standard	25 ²	40	58	40	1,85	35,0
L1764.030	Standard	30 ²	47	68	48	1,85	43,0
L1764.040	Standard	40 ³	62	80	58	2,15	68,0
L1764.050	Standard	50 ²	75	100	72	2,65	106,0
L1764.060	Standard	60 ³	90	125	95	3,20	159,0
L1764.080	Standard	80 ⁴	120	165	125	4,20	277,0
L1764.008-SA	Self Align.	8 ¹	16	25	14	1,10	4,3
L1764.012-SA	Self Align.	12 ¹	22	32	20	1,30	8,2
L1764.016-SA	Self Align.	16 ¹	26	36	22	1,30	12,0
L1764.020-SA	Self Align.	20 ²	32	45	28	1,60	19,0
L1764.025-SA	Self Align.	25 ²	40	58	40	1,85	35,0
L1764.030-SA	Self Align.	30 ²	47	68	48	1,85	43,0
L1764.040-SA	Self Align.	40 ³	62	80	58	2,15	68,0
L1764.050-SA	Self Align.	50 ³	75	100	72	2,65	106,0
L1764.060-SA	Self Align.	60 ³	90	125	95	3,20	159,0
L1764.080-SA	Self Align.	80 ⁴	120	165	125	4,20	277,0

Ceramic Closed Linear Bearings

self-lubricating

Linear Ball Bushings



L1765

Material

Aluminium with aluminium-oxide ceramic coating (4-7 μ). Hardness >80 HRC. PTFE insert.

Technical notes

Concentricity is better than 15 μ . Available with or without seals, if seals are required, please contact our sales team.

Temperature range: -130°C to +200°C.

Tips

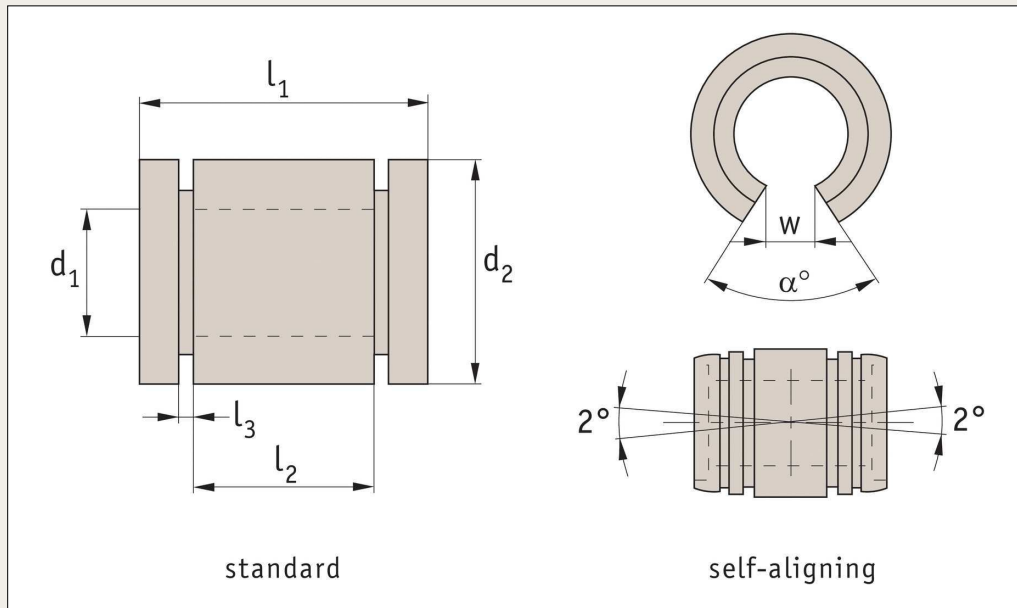
Can be run on hardened or soft steel shafts, tolerance h6, all part no. L1770-L1776. Self lubricating versions can also be run on ceramic coated aluminium shafts (see part no. L1778.) Load ratings are straight compressive

loads on a horizontal. They do not take into account moment loads or orientations such as inverse or vertical arrangements.

Bore tolerances: -0.000, +¹ 0.038-0.065
² 0.047-0.074
³ 0.049-0.089
⁴ 0.122-0.173

e.g. $d_1 = 5^{-0.000,+0.038-0.065}$

Order No.	Type	d_1 -0.000,+ [*] see tips	d_2 h7	l_1 h14	l_2 h13	l_3	Max. static load C_0 kN
L1765.005	Self Lub.	5 ¹	12	22	12	1,10	2,3
L1765.008	Self Lub.	8 ¹	16	25	14	1,10	4,3
L1765.012	Self Lub.	12 ¹	22	32	20	1,30	8,3
L1765.016	Self Lub.	16 ¹	26	36	22	1,30	12,0
L1765.020	Self Lub.	20 ²	32	45	28	1,60	18,0
L1765.025	Self Lub.	25 ²	40	58	40	1,85	35,0
L1765.030	Self Lub.	30 ²	47	68	48	1,85	43,0
L1765.040	Self Lub.	40 ³	62	80	58	2,15	68,0
L1765.050	Self Lub.	50 ³	75	100	72	2,65	106,0
L1765.060	Self Lub.	60 ³	90	125	95	3,20	159,0
L1765.080	Self Lub.	80 ⁴	120	165	125	4,20	277,0
L1765.008-SA	Self Lub/align	8 ¹	16	25	14	1,10	4,3
L1765.012-SA	Self Lub/align	12 ¹	22	32	20	1,30	8,3
L1765.016-SA	Self Lub/align	16 ¹	26	36	22	1,30	12,0
L1765.020-SA	Self Lub/align	20 ²	32	45	28	1,60	18,0
L1765.025-SA	Self Lub/align	25 ²	40	58	40	1,85	35,0
L1765.030-SA	Self Lub/align	30 ²	47	68	48	1,85	43,0
L1765.040-SA	Self Lub/align	40 ³	62	80	58	2,15	68,0
L1765.050-SA	Self Lub/align	50 ³	75	100	72	2,65	106,0
L1765.060-SA	Self Lub/align	60 ³	90	125	95	3,20	159,0
L1765.080-SA	Self Lub/align	80 ⁴	120	165	125	4,20	277,0



L1766

Material

Aluminium with aluminium-oxide ceramic coating (4-7µ). Hardness >80 HRC.

Technical notes

Concentricity is better than 15µ.
Available with or without seals, if seals are required, please contact our

sales team.

Temperature range: -130°C to +200°C.

Tips

Can be run on hardened or soft steel shafts, tolerance h6, all part no. L1770-L1776.
Inverting (hanging upside down)

open style bearings is not recommended.

Bore tolerances: -0.000, +*

¹ 0.038-0.065

² 0.047-0.074

³ 0.049-0.089

⁴ 0.122-0.173

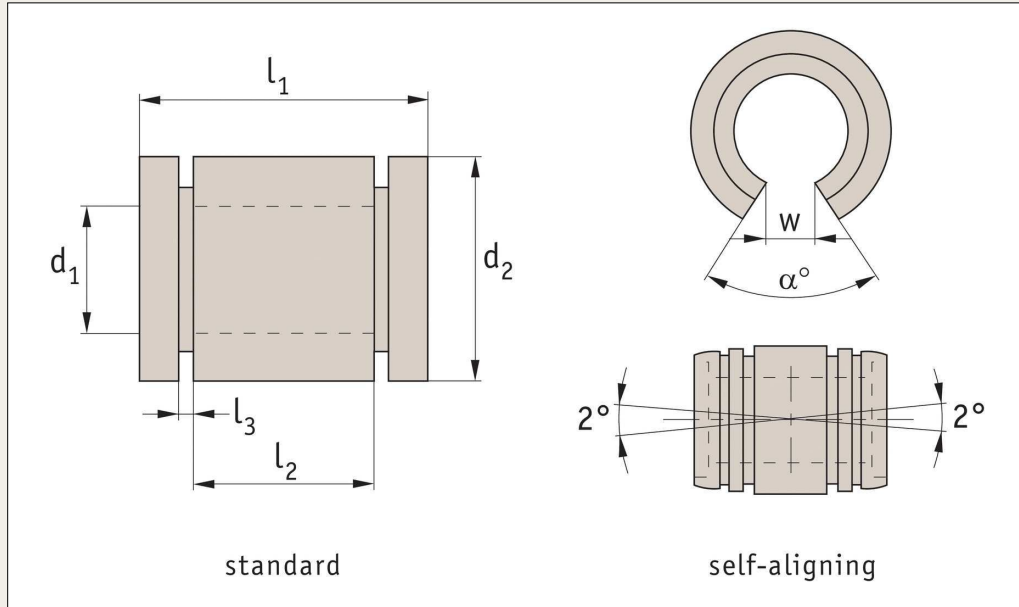
e.g. $d_1 = 5^{-0.000,+0.038-0.065}$

Order No.	Type	$d_1^{-0.000,+*}$ see tips	d_2_{h7}	l_1_{h14}	l_2	l_3	w	α°	Max. static load C_0 kN
L1766.012	Standard	12 ¹	22	32	20	1,30	7,6	78°	8,2
L1766.016	Standard	16 ¹	26	36	22	1,30	10,8	78°	12,0
L1766.020	Standard	20 ²	32	45	28	1,60	10,8	60°	18,0
L1766.025	Standard	25 ²	40	58	40	1,85	13,2	60°	35,0
L1766.030	Standard	30 ²	47	68	48	1,85	14,2	50°	43,0
L1766.040	Standard	40 ³	62	80	58	2,15	18,7	50°	67,0
L1766.050	Standard	50 ³	75	100	72	2,65	23,8	50°	106,0
L1766.060	Standard	60 ³	90	125	95	3,20	29,8	54°	159,0
L1766.080	Standard	80 ⁴	120	165	125	4,20	38,4	54°	227,0
L1766.012-SA	Self Align.	12 ¹	22	32	20	1,30	7,6	78°	8,2
L1766.016-SA	Self Align.	16 ¹	28	36	22	1,30	10,8	78°	12,0
L1766.020-SA	Self Align.	20 ²	32	45	28	1,60	10,8	60°	18,0
L1766.025-SA	Self Align.	25 ²	40	58	40	1,85	13,2	60°	35,0
L1766.030-SA	Self Align.	30 ²	47	68	48	1,85	14,2	50°	43,0
L1766.040-SA	Self Align.	40 ³	62	80	58	2,15	18,7	50°	67,0
L1766.050-SA	Self Align.	50 ³	75	100	72	2,65	23,8	50°	106,0
L1766.060-SA	Self Align.	60 ³	90	125	95	3,20	29,8	54°	159,0
L1766.080-SA	Self Align.	80 ⁴	120	165	125	4,20	38,4	54°	277,0

Ceramic Open Linear Bearings

self-lubricating

Linear Ball
Bushings



L1767

Material

Aluminium with aluminium-oxide ceramic coating (4-7µ). Hardness >80 HRC. PTFE insert.

Technical notes

Concentricity is better than 15µ. Available with or without seals, if seals are required, please contact our

sales team.

Temperature range: -130°C to +200°C.

Tips

Can be run on hardened or soft steel shafts, tolerance h6, all part no. L1770-L1776. Self lubricating versions can also be run on ceramic coated aluminium

shafts (see part no. L1778). Inverting (hanging upside down) open style bearing use is not recommended.

Bore tolerances: -0.000, +
¹ 0.038-0.065
² 0.047-0.074
³ 0.049-0.089
⁴ 0.122-0.173

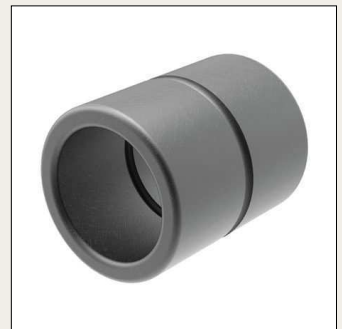
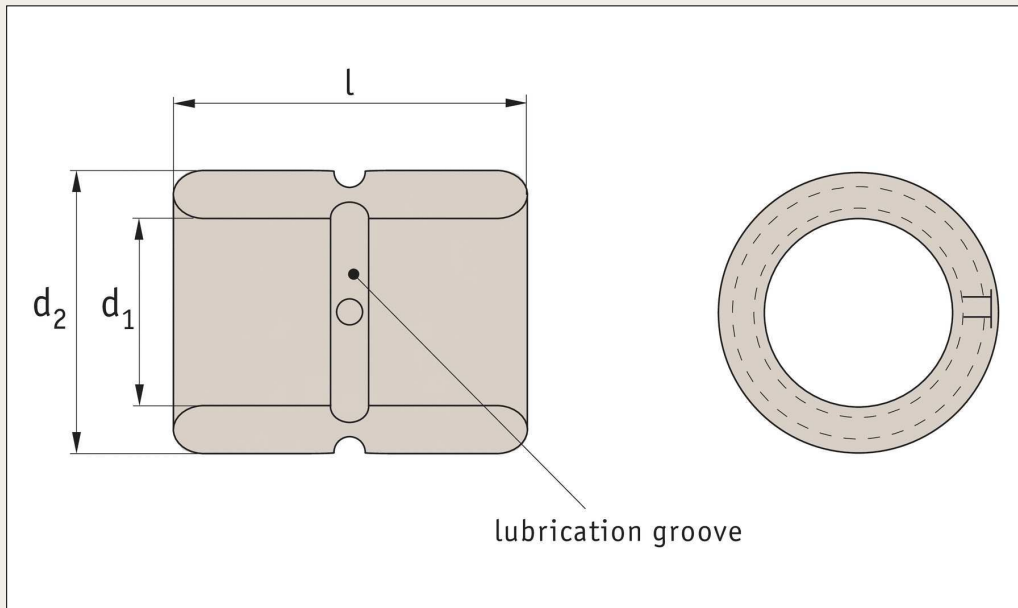
e.g. $d_1 = 5^{-0.000,+0.038-0.065}$

Order No.	Type	d_1 -0.000,+ see tips	d_2 h7	l_1 h14	l_2	l_3	w	α°	Max. static load C_0 kN
L1767.012	Self Lub.	12 ¹	22	32	20	1,30	7,6	78°	8,2
L1767.016	Self Lub.	16 ¹	28	36	22	1,30	10,8	78°	12,0
L1767.020	Self Lub.	20 ²	32	45	28	1,60	10,8	60°	18,0
L1767.025	Self Lub.	25 ²	40	58	40	1,85	13,2	60°	35,0
L1767.030	Self Lub.	30 ²	47	68	48	1,85	14,2	50°	43,0
L1767.040	Self Lub.	40 ³	62	80	58	2,15	18,7	50°	67,0
L1767.050	Self Lub.	50 ³	75	100	72	2,65	23,8	50°	106,0
L1767.060	Self Lub.	60 ³	90	125	95	3,20	29,8	54°	159,0
L1767.080	Self Lub.	80 ⁴	120	165	125	4,20	38,4	54°	277,0
L1767.012-SA	Self Lub/align	12 ¹	22	32	20	1,30	7,6	78°	8,2
L1767.016-SA	Self Lub/align	16 ¹	28	36	22	1,30	10,8	78°	12,0
L1767.020-SA	Self Lub/align	20 ²	32	45	28	1,60	10,8	60°	18,0
L1767.025-SA	Self Lub/align	25 ²	40	58	40	1,85	13,2	60°	35,0
L1767.030-SA	Self Lub/align	30 ³	47	68	48	1,85	14,2	50°	43,0
L1767.040-SA	Self Lub/align	40 ³	62	80	58	2,15	18,7	50°	67,0
L1767.050-SA	Self Lub/align	50 ³	75	100	72	2,65	23,8	50°	106,0
L1767.060-SA	Self Lub/align	60 ³	90	125	95	3,20	29,8	54°	159,0
L1767.080-SA	Self Lub/align	80 ⁴	120	165	125	4,20	38,4	54°	277,0

Tel: 01483 26 67 74
 Fax: 01483 26 67 75

Email: info@automotioncomponents.co.uk
 Web: automotioncomponents.co.uk

AUTOMOTION®
COMPONENTS



L1768

Material

Aluminium with aluminium-oxide ceramic coating (4-7 μ). Hardness >80 HRC.

Technical notes

Concentricity is better than 15 μ . Available with or without seals, if

seals are required, please contact our sales team.
Temperature range: -130°C to +200°C.

Tips

Can be run on hardened or soft steel shafts, tolerance h6, all part no.

L1770-L1776.

Bore tolerances: -0.000, +*

¹ 0.038-0.065

² 0.047-0.074

³ 0.049-0.089

⁴ 0.122-0.173

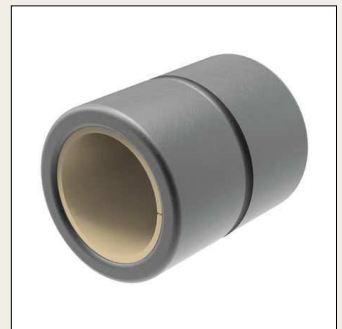
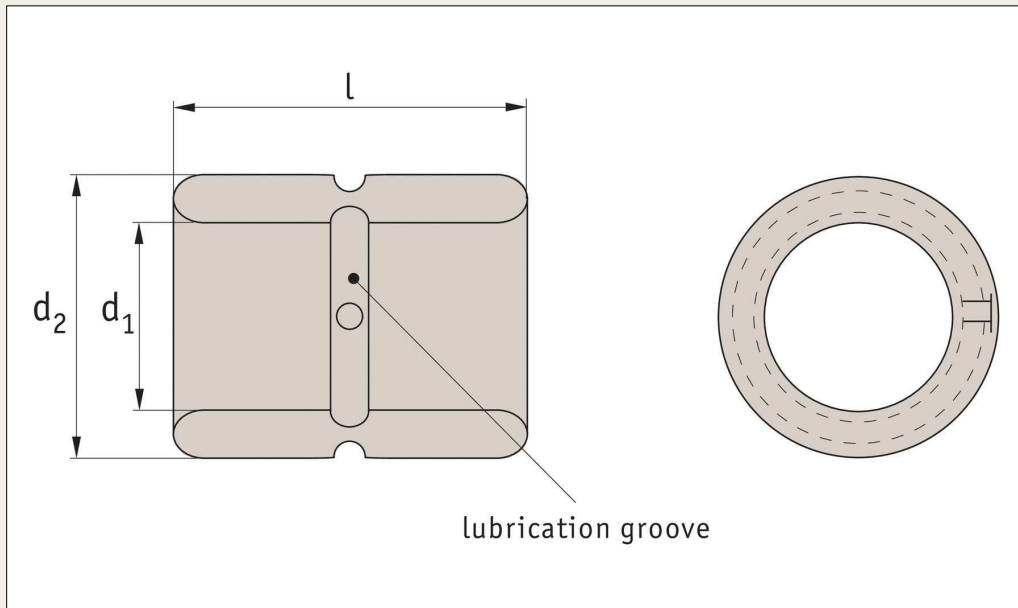
e.g. $d_1 = 5^{-0.000,+0.038-0.065}$

Order No.	d_1 H7	d_1 -0.000,+* see tips	l h14	Max. dynamic load C kN	Max. static load C_0 kN
L1768.006	6 ¹	12	22	0,21	0,79
L1768.008	8 ¹	15	24	0,32	1,38
L1768.010	10 ¹	17	26	0,47	1,89
L1768.012	12 ¹	19	28	0,62	2,64
L1768.014	14 ¹	21	28	0,77	3,02
L1768.016	16 ¹	24	30	0,92	3,96
L1768.020	20 ²	28	30	1,44	6,19
L1768.025	25 ²	35	40	2,31	9,98
L1768.030	30 ²	40	50	3,25	14,03
L1768.040	40 ³	52	60	5,10	22,02
L1768.050	50 ³	62	70	7,96	34,40

Thin Wall Ceramic Linear Bearings

self-lubricating

Linear Ball
Bushings



L1769

Material

Aluminium with aluminium-oxide ceramic coating (4-7µ). Hardness >80 HRC. PTFE insert.

Technical notes

Concentricity is better than 15µ. Available with or without seals, if

seals are required, please contact our sales team. Temperature range: -130°C to +200°C.

Tips

Can be run on hardened or soft steel shafts, tolerance h6, all part no. L1770-L1776.

Self lubricating versions can also be run on ceramic coated aluminium shafts (see part no. L1788.)

Bore tolerances: -0.000, +*

¹ 0.038-0.065

² 0.047-0.074

³ 0.049-0.089

⁴ 0.122-0.173

e.g. $d_1 = 5^{-0.000,+0.038-0.065}$

Order No.	d_1 H6/H7	d_1 -0.000,+* see tips	l h14	Max. dynamic load C kN	Max. static load C_0 kN
L1769.006	6 ¹	12	22	0,08	0,64
L1769.008	8 ¹	15	24	0,18	1,04
L1769.010	10 ¹	17	26	0,23	1,41
L1769.012	12 ¹	19	28	0,34	2,00
L1769.014	14 ¹	21	28	0,44	2,42
L1769.016	16 ¹	24	30	0,51	3,00
L1769.020	20 ²	28	30	0,80	4,68
L1769.025	25 ²	35	40	1,29	7,54
L1769.030	30 ²	40	50	1,83	10,81
L1769.040	40 ³	52	60	2,88	16,64
L1769.050	50 ³	62	70	4,48	26,00