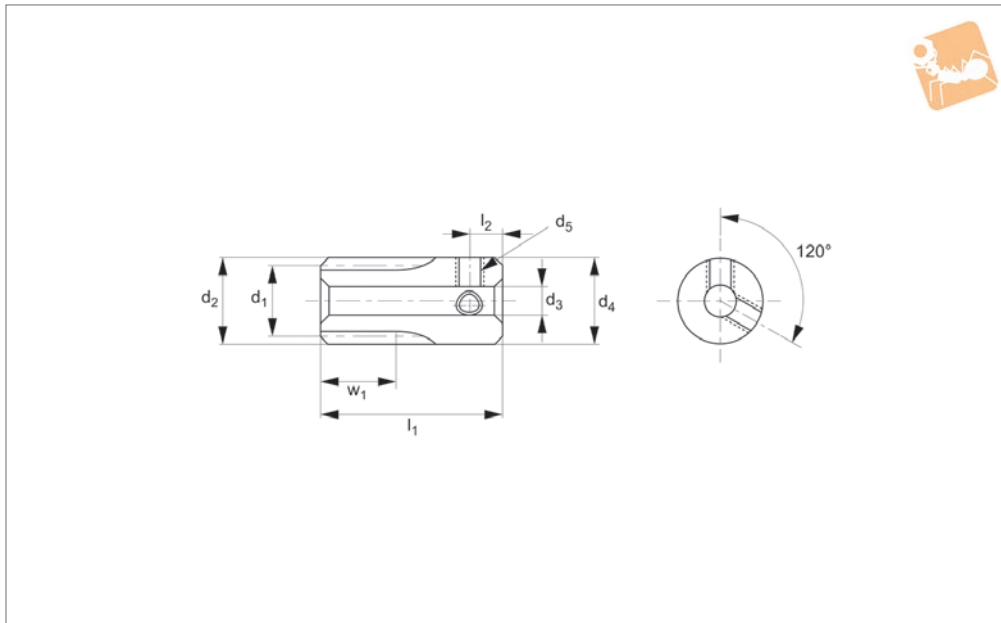




Spur Gears - Module 0.8 - Stainless

stainless steel - 14-15 teeth



R5142

STANDARD SPUR GEARS

Material

Stainless steel (SUS 304, JIS G 4303).
Accuracy to JIS B 1702-1 (ISO) class 9.

Technical Notes

20° pressure angle, full depth tooth.
Amount of backlash when assembling

gears = 0,016 - 0,048mm.

Tips

For a version of this product with fewer teeth, see R5141. Or, for module 0.8 stainless steel gears with more teeth, see R5144 (boreless) & R5146.

Max. allowable torque (Nm) is based on standard operating conditions (see technical pages) with a safety factor of 1.2. For non standard applications apply a suitable safety factor depending on frequency of use, type of working etc.

Order No.	Module	No. of teeth z	Pitch dia. d ₁	d ₂	w ₁	d ₃ tol. H8	d ₄	l ₁	l ₂	Thread d ₅	Torque Nm max.	Weight g
R5142.080-014	m 0.8	14	11.2	12.8	7	4	12.8	20	13	2xM 3	0.95	16.3
R5142.080-015	m 0.8	15	12.0	13.6	7	4	13.6	20	13	2xM 3	1.06	18.8