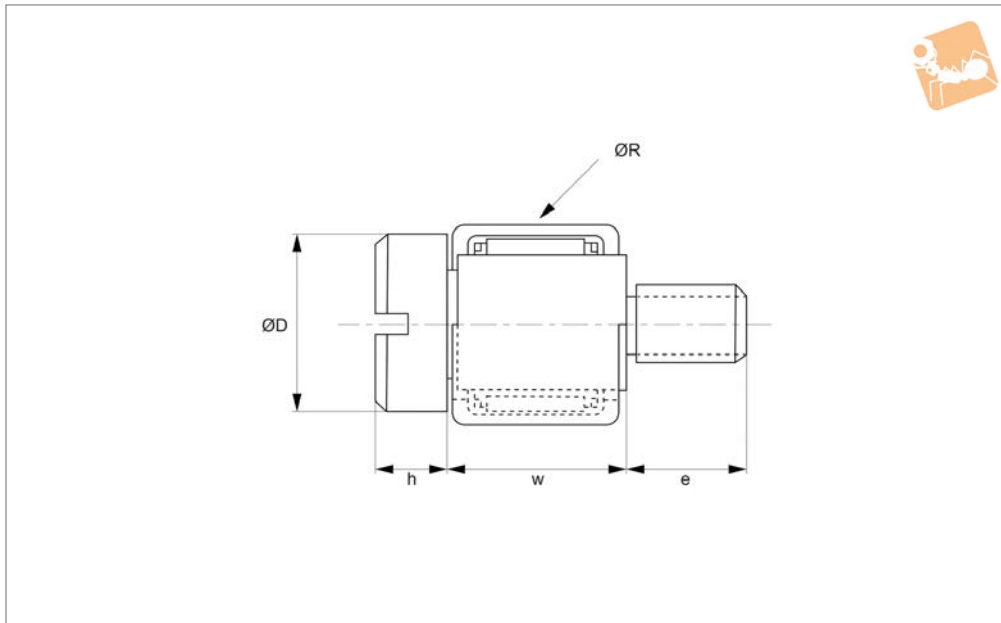




# Roller Bearing and Cam Follower heavy duty



## R4032

OTHER ROTARY PARTS

### Material

Roller cup - case hardened steel.  
Needle bearings - hardened steel.

Bearing cage - low carbon steel.

Screw - stainless steel (DIN 1,4005).

### Technical Notes

High load, low profile, low friction.

Order No.	$\text{Ø R}$	w	$\text{Ø d}$	h	e	Screw
R4032.008	8.00	8.00	6.0	2.7	4	M3x0,5
R4032.009	9.00	9.00	8.0	4.0	5	M4x0,7
R4032.010	10.00	9.00	8.5	5.0	6	M5x0,8
R4032.012	12.00	10.00	10.5	5.7	11	M6x1,0
R4032.014	14.00	10.00	12.5	6.7	12	M8x1,25
R4032.016	16.00	12.00	14.5	7.7	16	M10x1,50