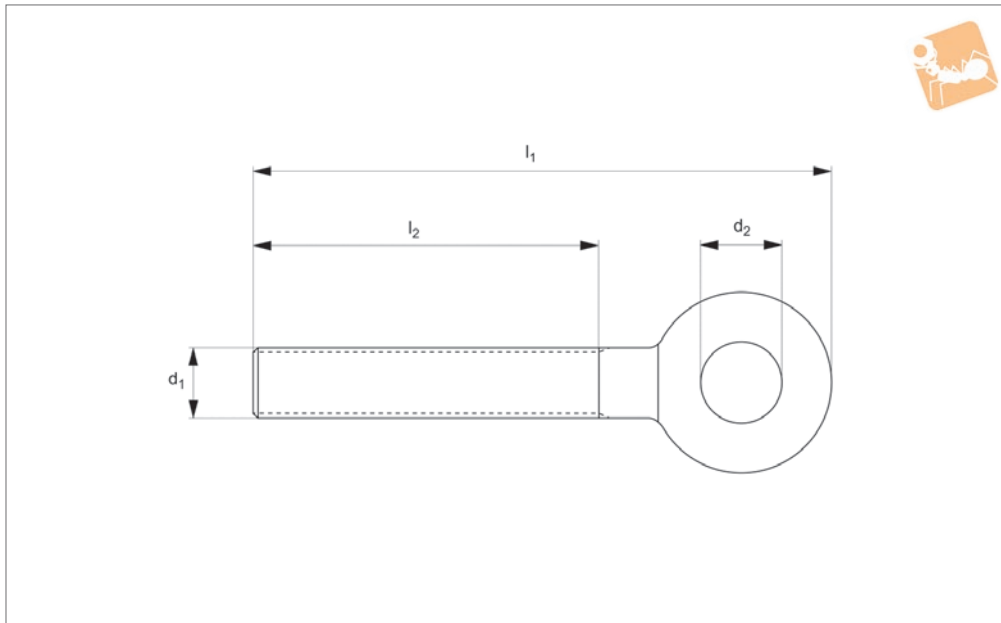
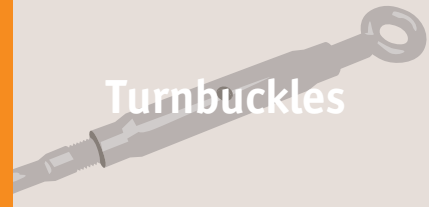




# Eyes for Turnbuckles

steel

## Turnbuckles



**R3860**

TURNBUCKLES

### Material

Steel (1.0037), zinc-plated.  
Hot dip galvanized version, available on request providing increased protection

against corrosion. Please add -FZ for hot dip galvanized, e.g. R3860.R006-FZ.

### Important Notes

**Turnbuckles are not to be used for lifting. Only suitable for use in tension.**

Order No.	Thread hand	d <sub>1</sub>	d <sub>2</sub>	l <sub>1</sub>	l <sub>2</sub>	Weight kg
R3860.R006-ZP	Right	M 6	10	74	50	0.015
R3860.R008-ZP	Right	M 8	11	80	52	0.030
R3860.R010-ZP	Right	M10	15	95	59	0.050
R3860.R012-ZP	Right	M12	17	107	66	0.085
R3860.R014-ZP	Right	M14	18	158	85	0.130
R3860.R016-ZP	Right	M16	22	146	85	0.210
R3860.R020-ZP	Right	M20	24	170	100	0.380
R3860.R022-ZP	Right	M22	30	203	123	0.580
R3860.R024-ZP	Right	M24	33	213	134	0.830
R3860.R030-ZP	Right	M30	39	255	150	1.400
R3860.R036-ZP	Right	M36	37	260	150	2.180
R3860.R042-ZP	Right	M42	48	285	165	3.190
R3860.R048-ZP	Right	M48	58	335	185	4.970
R3860.L006-ZP	Left	M 6	10	74	50	0.015
R3860.L008-ZP	Left	M 8	11	80	52	0.030
R3860.L010-ZP	Left	M10	15	95	59	0.050
R3860.L012-ZP	Left	M12	17	107	66	0.085
R3860.L014-ZP	Left	M14	18	158	85	0.130
R3860.L016-ZP	Left	M16	22	146	85	0.210
R3860.L020-ZP	Left	M20	24	170	100	0.380
R3860.L022-ZP	Left	M22	30	203	123	0.580
R3860.L024-ZP	Left	M24	33	213	134	0.830
R3860.L030-ZP	Left	M30	39	255	150	1.400
R3860.L036-ZP	Left	M36	37	260	150	2.180
R3860.L042-ZP	Left	M42	48	285	165	3.190
R3860.L048-ZP	Left	M48	58	335	185	4.970