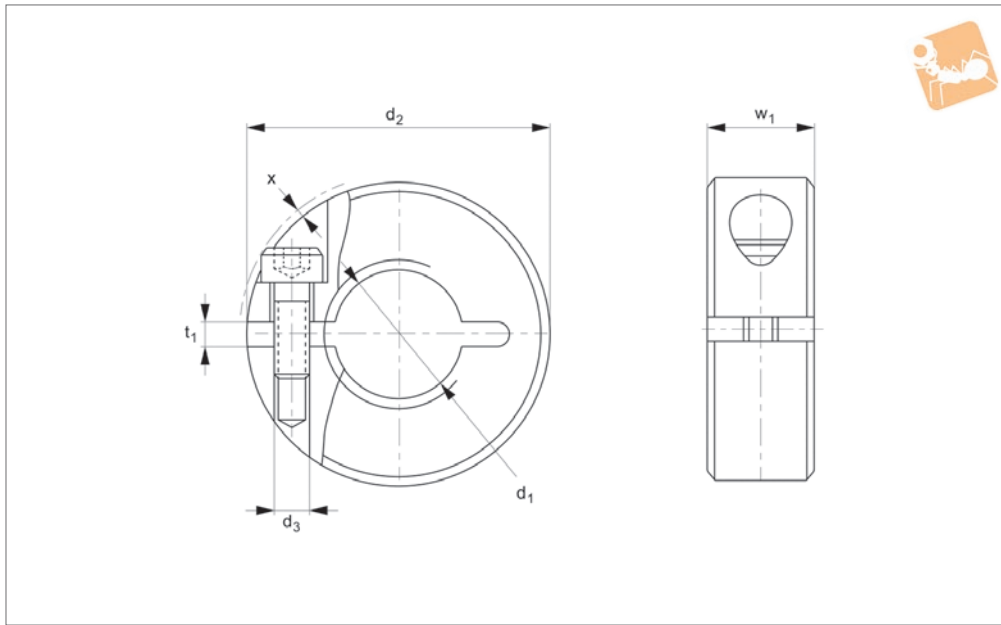
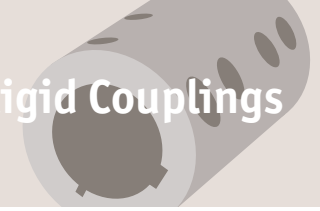




Threaded Set Collars

steel & stainless

Rigid Couplings



R3214

RIGID COUPLINGS

Material

Steel with blackened oxide finish or Stainless steel (A4).

Technical Notes

Design engages a threaded shaft without

marring or damaging the thread.

larger.

Important Notes

Screw is a through hole for sizes M20 and smaller.

Screw is a blind hole for sizes M24 and

Order No.	d ₁ for thread tol. 6H	d ₂	d ₃	t	w	x . Cap screw max. protrusion	Weight g
R3214.080-BL	M 8	20	M 3	2.1	9	1.0	15
R3214.100-BL	M10	22	M 3	2.1	9	0.8	15
R3214.120-BL	M12	26	M 4	2.1	11	1.6	15
R3214.160-BL	M16	32	M 4	2.1	11	0.7	15
R3214.200-BL	M20	42	M 5	3.0	15	0.6	15
R3214.080-100-BL	M 8 x 1,0	20	M 3	2.1	9	1.0	15
R3214.100-100-BL	M10 x 1,0	22	M 3	2.1	9	0.8	15
R3214.120-150-BL	M12 x 1,5	26	M 4	2.1	11	1.6	15
R3214.160-150-BL	M16 x 1,5	32	M 4	2.1	11	0.7	15
R3214.200-150-BL	M20 x 1,5	42	M 5	3.0	15	0.6	15
R3214.240-150-BL	M24 x 1,5	48	M 5	3.0	15	0.0	15
R3214.300-150-BL	M30 x 1,5	55	M 6	3.0	15	0.4	15
R3214.080-A4	M 8	20	M 3	2.1	9	1.0	15
R3214.100-A4	M10	22	M 3	2.1	9	0.8	15
R3214.120-A4	M12	26	M 4	2.1	11	1.6	15
R3214.160-A4	M16	32	M 4	2.1	11	0.7	15
R3214.200-A4	M20	42	M 5	3.0	15	0.6	15
R3214.080-100-A4	M 8 x 1,0	20	M 3	2.1	9	1.0	15
R3214.100-100-A4	M10 x 1,0	22	M 3	2.1	9	0.8	15
R3214.120-150-A4	M12 x 1,5	26	M 4	2.1	11	1.6	15
R3214.160-150-A4	M16 x 1,5	32	M 4	2.1	11	0.7	15
R3214.200-150-A4	M20 x 1,5	42	M 5	3.0	15	0.6	15
R3214.240-150-A4	M24 x 1,5	48	M 5	3.0	15	0.0	15
R3214.300-150-A4	M30 x 1,5	55	M 6	3.0	15	0.4	15