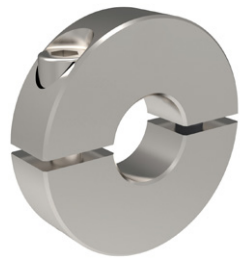




# Shaft Collars - Two Piece

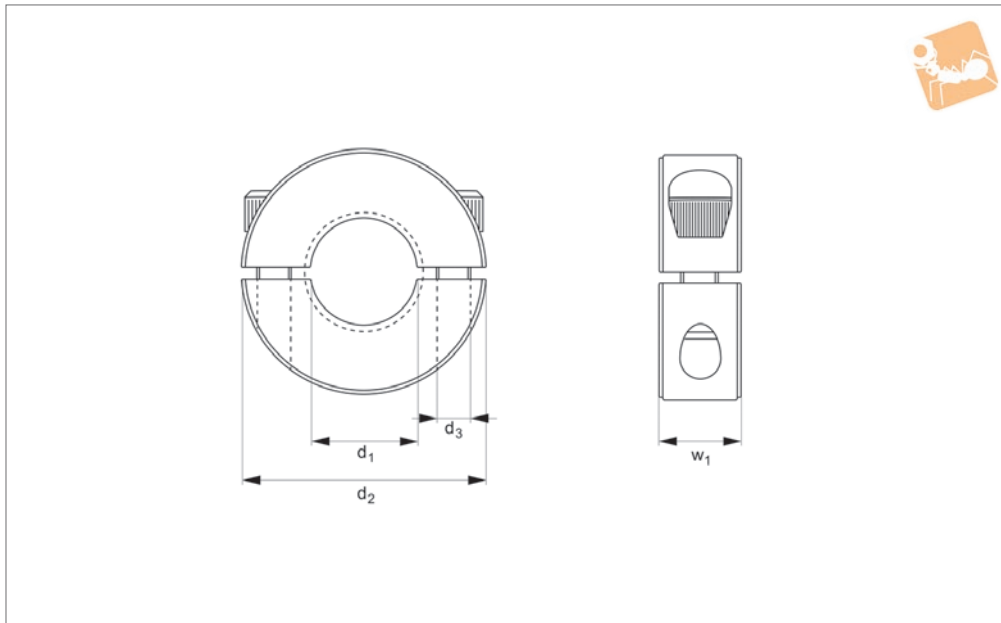
Steel & stainless

## Rigid Couplings



**R3210**

RIGID COUPLINGS



### Material

Steel (AISI 12L14), black oxide finish, or stainless steel (A2, AISI 303).  
Other materials available on request.

### Technical Notes

Design fully engages the shaft without

marring or damaging.

Two piece collars are easily installed where major disassembly would otherwise be required.

Greater axial holding power than set screw collars, effective on hard and soft shafts.

### Important Notes

Different bore sizes available on request.  
For keyways, please add „-KW“ suffix when ordering.

Order No.	Material	d <sub>1</sub> tol. H7/H8	d <sub>2</sub> tol. H7/H8	d <sub>3</sub>	w	Torque screw to Nm	Weight g
R3210.030-BL	Black oxide steel	3	16	M 3	9	2.0	10
R3210.040-BL	Black oxide steel	4	16	M 3	9	2.0	10
R3210.050-BL	Black oxide steel	5	16	M 3	9	2.0	10
R3210.060-BL	Black oxide steel	6	16	M 3	9	2.0	10
R3210.080-BL	Black oxide steel	8	18	M 3	9	2.0	10
R3210.090-BL	Black oxide steel	9	24	M 3	9	2.0	20
R3210.100-BL	Black oxide steel	10	24	M 3	9	2.0	20
R3210.120-BL	Black oxide steel	12	28	M 4	11	4.5	40
R3210.130-BL	Black oxide steel	13	30	M 4	11	4.5	40
R3210.140-BL	Black oxide steel	14	30	M 4	11	4.5	40
R3210.150-BL	Black oxide steel	15	34	M 5	13	9.5	70
R3210.160-BL	Black oxide steel	16	34	M 5	13	9.5	70
R3210.170-BL	Black oxide steel	17	36	M 5	13	9.5	80
R3210.180-BL	Black oxide steel	18	36	M 5	13	9.5	70
R3210.200-BL	Black oxide steel	20	40	M 6	15	16.5	110
R3210.250-BL	Black oxide steel	25	47	M 6	15	16.5	120
R3210.300-BL	Black oxide steel	30	54	M 6	15	16.5	180
R3210.350-BL	Black oxide steel	35	57	M 6	15	16.5	180
R3210.400-BL	Black oxide steel	40	60	M 6	15	16.5	180
R3210.450-BL	Black oxide steel	45	73	M 8	19	39.0	380
R3210.500-BL	Black oxide steel	50	78	M 8	19	39.0	410
R3210.550-BL	Black oxide steel	55	82	M 8	19	39.0	430
R3210.600-BL	Black oxide steel	60	88	M 8	19	39.0	480
R3210.650-BL	Black oxide steel	65	93	M 8	19	39.0	510
R3210.700-BL	Black oxide steel	70	98	M 8	19	39.0	550
R3210.750-BL	Black oxide steel	75	103	M 8	19	39.0	580
R3210.800-BL	Black oxide steel	80	108	M 8	19	39.0	610
R3210.030-A2	Stainless	3	16	M 3	9	1.0	10
R3210.040-A2	Stainless	4	16	M 3	9	1.0	10
R3210.050-A2	Stainless	5	16	M 3	9	1.0	10
R3210.060-A2	Stainless	6	16	M 3	9	1.0	10



Order No.	Material	d <sub>1</sub> tol. H7/H8	d <sub>2</sub> tol. H7/H8	d <sub>3</sub>	w	Torque screw to Nm	Weight g
R3210.080-A2	Stainless	8	18	M 3	9	1.0	30
R3210.090-A2	Stainless	9	24	M 3	9	1.0	20
R3210.100-A2	Stainless	10	24	M 3	9	1.0	20
R3210.120-A2	Stainless	12	28	M 4	11	2.5	40
R3210.130-A2	Stainless	13	30	M 4	11	2.5	40
R3210.140-A2	Stainless	14	30	M 4	11	2.5	40
R3210.150-A2	Stainless	15	34	M 5	13	5.0	70
R3210.160-A2	Stainless	16	34	M 5	13	5.0	60
R3210.170-A2	Stainless	17	36	M 5	13	5.0	80
R3210.180-A2	Stainless	18	36	M 5	13	5.0	70
R3210.200-A2	Stainless	20	40	M 6	15	8.5	100
R3210.250-A2	Stainless	25	47	M 6	15	8.5	140
R3210.300-A2	Stainless	30	54	M 6	15	8.5	170
R3210.350-A2	Stainless	35	57	M 6	15	8.5	170
R3210.400-A2	Stainless	40	60	M 6	15	8.5	160
R3210.450-A2	Stainless	45	73	M 8	19	20.5	350
R3210.500-A2	Stainless	50	78	M 8	19	20.5	380
R3210.550-A2	Stainless	55	82	M 8	19	20.5	430
R3210.600-A2	Stainless	60	88	M 8	19	20.5	440
R3210.650-A2	Stainless	65	93	M 8	19	20.5	510
R3210.700-A2	Stainless	70	98	M 8	19	20.5	550
R3210.750-A2	Stainless	75	103	M 8	19	20.5	580
R3210.800-A2	Stainless	80	108	M 8	19	20.5	610