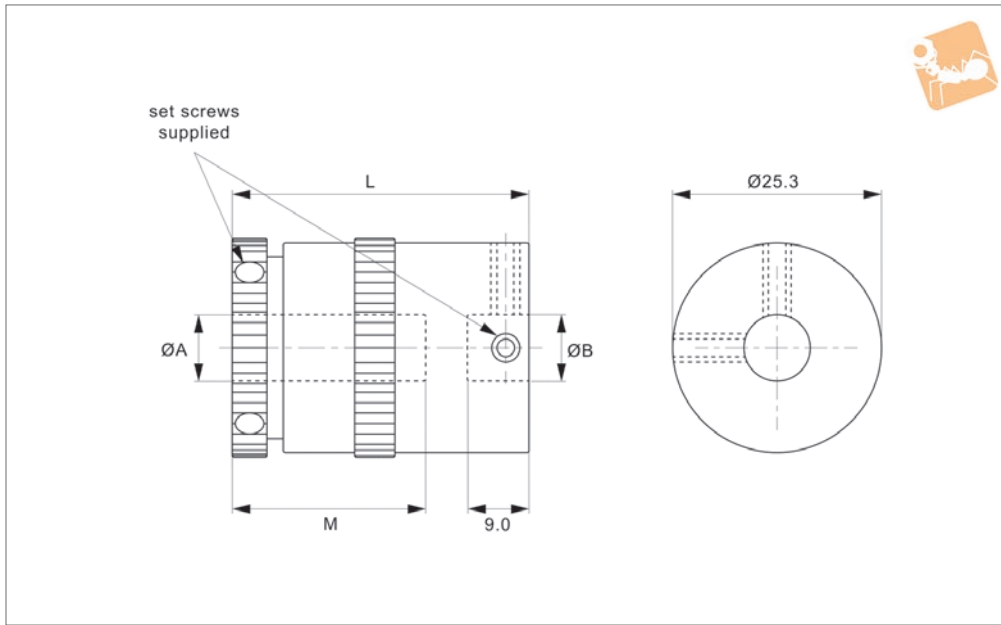
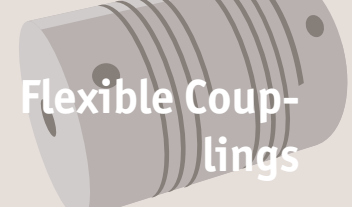




Slip Couplings

Adjustable 2,4 to 130Ncm

Flexible Couplings



R3080

FLEXIBLE COUPLINGS

Material
Aluminium with alocrom finish.
Hubs and plates - heat treated steel.

Sintered bronze bearing.

Technical Notes
Bi-directional.

Max. backlash 2°.
Max. operating temperature +80°C.

Order No.	Type	Ø A +0.03	Ø B +0.03	Adj. torque range Ncm min.	Adj. torque range Ncm max.	I ₁	I ₂
R3080.006-25	Slip	6	6	2.4	53.0	36.0	25
R3080.008-25	Slip	8	8	2.4	53.0	36.0	25
R3080.006-31	Slip	6	6	7.8	132.4	42.5	31
R3080.008-31	Slip	8	8	7.8	132.4	42.5	31