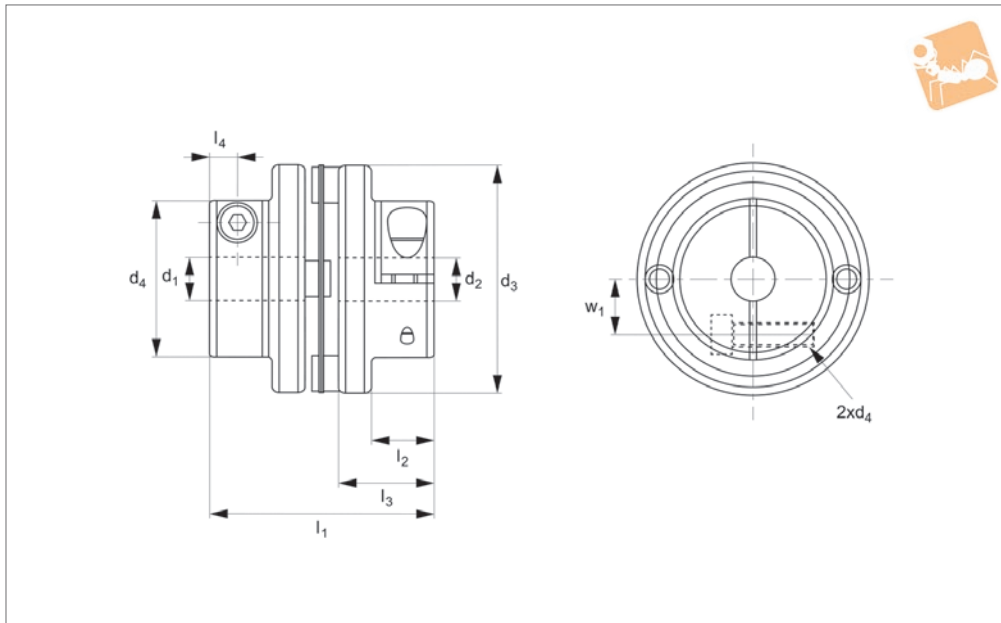
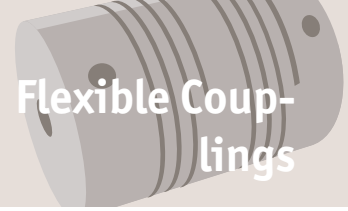




Double Disk Coupling - Aluminium

clamp fixing, short type

Flexible Couplings



R3069

FLEXIBLE COUPLINGS

Material

Mainframe: Anodized aluminium AL 7075
 Disk: Stainless steel SUS301
 Pim: Stainless steel SUS303

Technical Notes

Hard torque load, high torque rigidity and excellent sensibility.

Miniature coupling has short length, zero backlash.
 Dual stainless steel disk to correct angular and axial deviation.
 Clockwise character is exactly the same as anti-clockwise one.
 Free maintenance, oil-resist and anti-

corrosiveness.
 R3069 can't allow axial deviation caused by offset.
 Offset, deflection, shaft deviation are individual allowed value.

Order No.	d ₁ & d ₂ tol. h8	d ₃	d ₄	d ₅	l ₁	l ₂	l ₃	l ₄	w	Clamping screw lock torque Nm
R3069.A-22-6	6	32	22	M3	32	13.7	9	4	8	1.5
R3069.A-22-7	7	32	22	M3	32	13.7	9	4	8	1.5
R3069.A-22-8	8	32	22	M3	32	13.7	9	4	8	1.5
R3069.A-22-10	10	32	22	M3	32	13.7	9	4	8	1.5
R3069.B-28-7	7	40	28	M4	38	16.5	12	6	10.5	2.5
R3069.B-28-8	8	40	28	M4	38	16.5	12	6	10.5	2.5
R3069.B-28-10	10	40	28	M4	38	16.5	12	6	10.5	2.5
R3069.B-28-11	11	40	28	M4	38	16.5	12	6	10.5	2.5
R3069.B-28-12	12	40	28	M4	38	16.5	12	6	10.5	2.5
R3069.B-28-14	14	40	28	M4	38	16.5	12	6	10.5	2.5
R3069.C-39-12	12	50	39	M5	44	19.4	15	7	14.8	7
R3069.C-39-14	14	50	39	M5	44	19.4	15	7	14.8	7
R3069.C-39-15	15	50	39	M5	44	19.4	15	7	14.8	7
R3069.C-39-16	16	50	39	M5	44	19.4	15	7	14.8	7
R3069.C-39-18	18	50	39	M5	44	19.4	15	7	14.8	7
R3069.C-39-19	19	50	39	M5	44	19.4	15	7	14.8	7
R3069.C-39-20	20	50	39	M5	44	19.4	15	7	14.8	7
R3069.D-45-15	15	63	45	M6	50	22.3	18	8	17	12
R3069.D-45-16	16	63	45	M6	50	22.3	18	8	17	12
R3069.D-45-18	18	63	45	M6	50	22.3	18	8	17	12
R3069.D-45-19	19	63	45	M6	50	22.3	18	8	17	12
R3069.D-45-20	20	63	45	M6	50	22.3	18	8	17	12
R3069.D-45-25	25	63	45	M6	50	22.3	18	8	17	12