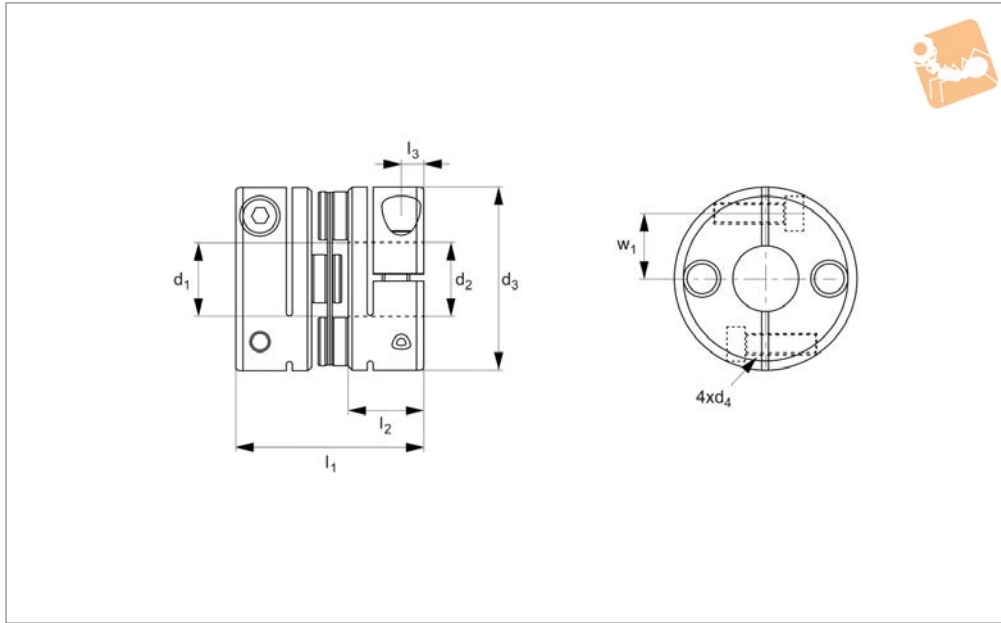
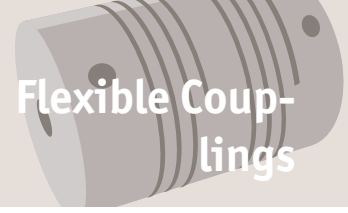




Single Disk Coupling - Aluminium

clamping type, short type.

Flexible Couplings



R3067.2

FLEXIBLE COUPLINGS

Material

Main frame: Anodized aluminium AL7075
 Disk: Stainless steel SUS301
 Pin: Stainless steel SUS303

Technical Notes

Hard torque load, high torque rigidity and excellent sensibility.

Miniature coupling has short length, no correction for radial deviation.
 Dual stainless steel disk to correct angular and axial deviation.
 Clockwise character is exactly the same as anti-clockwise one.
 Free maintenance, oil resist and anti-

corrosiveness, Zero backlash.
 R3067 can't allow axial deviation caused by offset.
 Offset, deflection, shaft deviation are individual allowed.

Order No.	d ₁ & d ₂ tol. h8	d ₃	d ₄	l ₁	l ₂	l ₃	w ₁	Clamping screw lock torque Nm
R3067.D-8	8	40	M4	33	14	5	15	2.5
R3067.D-17	17	40	M4	33	14	5	15	2.5
R3067.D-18	18	40	M4	33	14	5	15	2.5
R3067.D-19	19	40	M4	33	14	5	15	2.5
R3067.D-20	20	40	M4	33	14	5	15	2.5
R3067.D-10	10	40	M4	33	14	5	15	2.5
R3067.D-11	11	40	M4	33	14	5	15	2.5
R3067.D-12	12	40	M4	33	14	5	15	2.5
R3067.D-14	14	40	M4	33	14	5	15	2.5
R3067.D-15	15	40	M4	33	14	5	15	2.5
R3067.D-16	16	40	M4	33	14	5	15	2.5
R3067.E-14	14	50	M5	42	18	6	18	7
R3067.E-15	15	50	M5	42	18	6	18	7
R3067.E-16	16	50	M5	42	18	6	18	7
R3067.E-17	17	50	M5	42	18	6	18	7
R3067.E-18	18	50	M5	42	18	6	18	7
R3067.E-19	19	50	M5	42	18	6	18	7
R3067.E-20	20	50	M5	42	18	6	18	7
R3067.E-22	22	50	M5	42	18	6	18	7
R3067.E-24	24	50	M5	42	18	6	18	7
R3067.E-25	25	50	M5	42	18	6	18	7