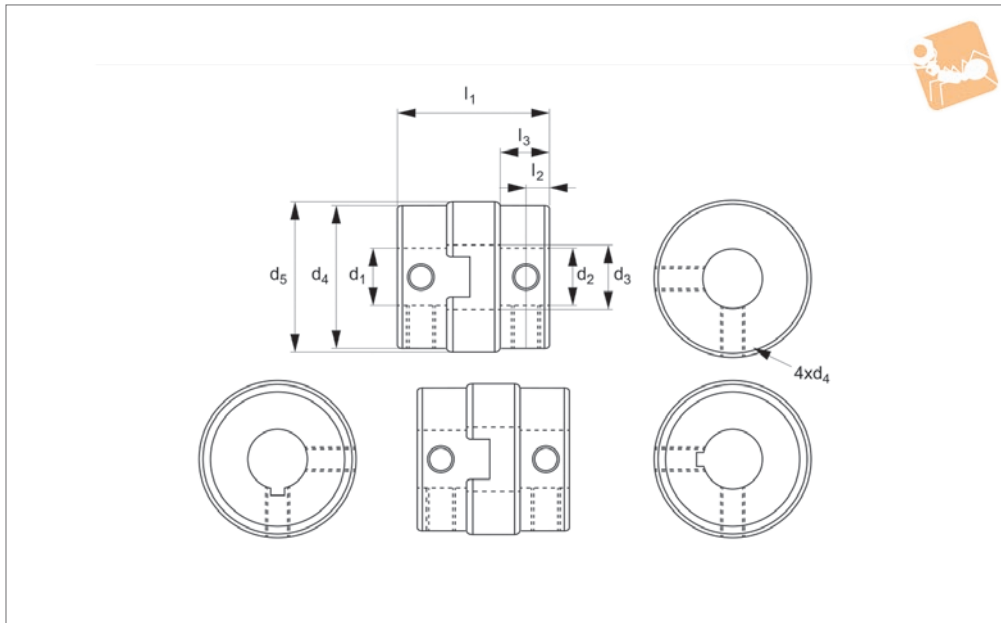
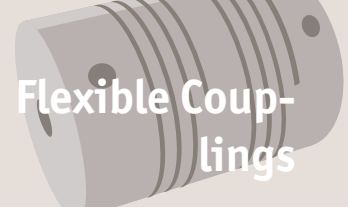




Oldham Coupling with Carbon Resin Insert

Flexible Couplings



R3055.2

FLEXIBLE COUPLINGS

Material

Mainframe: Stainless steel alloy SUS304.
Insert: Carbon resin.

Offset of angular, parallel, or axial deviation are individual allowed value, so couple reasons of axial offset appearing at same time would reduce the unit allowable value.

Available options for key way per inner diameter is bigger than 6mm.

Technical Notes

Operating temperature: -40° - 90°C.

Order No.	Ø d	d ₁ & d ₂	d ₃	d ₄	d ₅	l ₁	l ₂	l ₃	Clamping screw lock torque Nm	Clamping screw d ₆
R3055.H-6	26	6	12.0	26	27	25.6	4	9	1.7	M 4
R3055.H-7	26	7	12.0	26	27	25.6	4	9	1.7	M 4
R3055.H-8	26	8	12.0	26	27	25.6	4	9	1.7	M 4
R3055.H-10	26	10	12.0	26	27	25.6	4	9	1.7	M 4
R3055.H-11	26	11	12.0	26	27	25.6	4	9	1.7	M 4
R3055.H-12	26	12	12.0	26	27	25.6	4	9	1.7	M 4
R3055.H-14	26	14	12.0	26	27	25.6	4	9	1.7	M 4
R3055.I-8	30	8	13.0	30	31	33	6	12	1.7	M 4
R3055.I-10	30	10	13.0	30	31	33	6	12	1.7	M 4
R3055.I-12	30	12	13.0	30	31	33	6	12	1.7	M 4
R3055.I-14	30	14	13.0	30	31	33	6	12	1.7	M 4
R3055.J-10	34	10	13.0	34	35	34.2	5.5	13	4.0	M 5
R3055.J-11	34	11	13.0	34	35	34.2	5.5	13	4.0	M 5
R3055.J-12	34	12	13.0	34	35	34.2	5.5	13	4.0	M 5
R3055.J-14	34	14	13.0	34	35	34.2	5.5	13	4.0	M 5
R3055.J-15	34	15	13.0	34	35	34.2	5.5	13	4.0	M 5
R3055.J-16	34	16	13.0	34	35	34.2	5.5	13	4.0	M 5
R3055.K-10	38	10	17.0	38	41	40	7	15	4.0	M 5
R3055.K-12	38	12	17.0	38	41	40	7	15	4.0	M 5
R3055.K-14	38	14	17.0	38	41	40	7	15	4.0	M 5
R3055.K-15	38	15	17.0	38	41	40	7	15	4.0	M 5
R3055.K-16	38	16	17.0	38	41	40	7	15	4.0	M 5
R3055.K-18	38	18	17.0	38	41	40	7	15	4.0	M 5
R3055.K-20	38	20	17.0	38	41	40	7	15	4.0	M 5