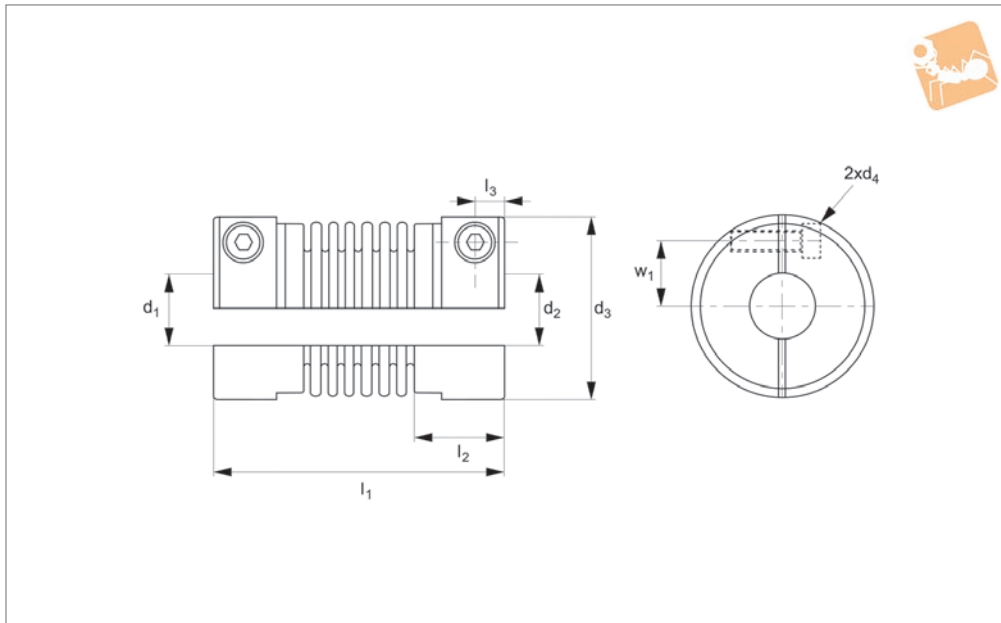
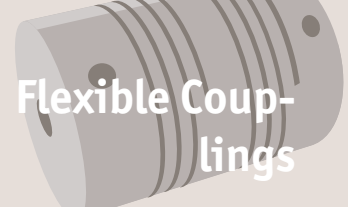




Bellows Coupling

Aluminium with Phosphor Bronze

Flexible Couplings



R3012

FLEXIBLE COUPLINGS

Material

Mainframe: Anodized aluminium AL 7075
Bellows: Phosphor bronze C5191

tion are individual allowed value, so couple reasons of axial offset appearing at same time would reduce the unit allowable value.

Technical Notes

Offset of angular, parallel or axial devia-

Order No.	d_1 & d_2 tol. h8	d_3	d_4	l_1	l_2	l_3	w	Clamping screw lock torque Nm
R3012.A-4	4	12	M2	23.5	7.5	2.3	4	0.5
R3012.A-5	5	12	M2	23.5	7.5	2.3	4	0.5
R3012.B-4	4	16	M2,5	26.5	9	3	5	1
R3012.B-5	5	16	M2,5	26.5	9	3	5	1
R3012.B-6	6	16	M2,5	26.5	9	3	5	1
R3012.C-5	5	20	M2,5	32	10	3.5	6.5	1
R3012.C-6	6	20	M2,5	32	10	3.5	6.5	1
R3012.C-8	8	20	M2,5	32	10	3.5	6.5	1
R3012.D-6	6	25	M3	36.5	12	4.5	9	1.5
R3012.D-8	8	25	M3	36.5	12	4.5	9	1.5
R3012.D-10	10	25	M3	36.5	12	4.5	9	1.5
R3012.E-8	8	32	M4	42	13.5	5	11	2.5
R3012.E-10	10	32	M4	42	13.5	5	11	2.5
R3012.E-12	12	32	M4	42	13.5	5	11	2.5
R3012.E-14	14	32	M4	42	13.5	5	11	2.5