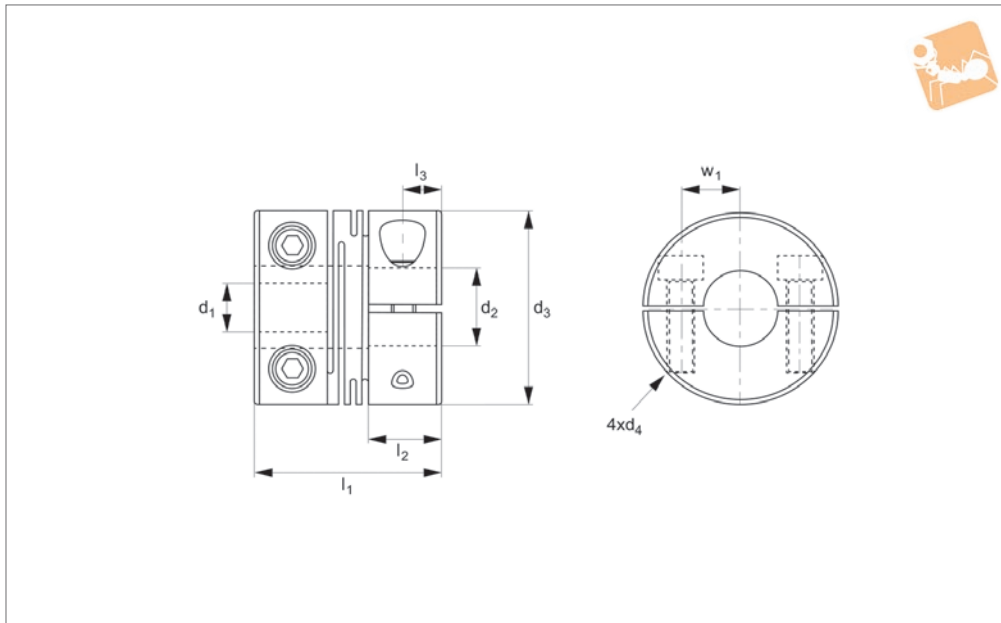
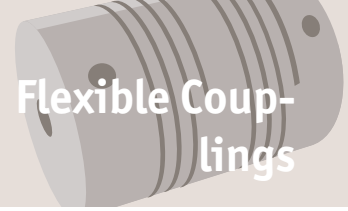




Spiral Beam Coupling - Aluminium

clamping type - short type

Flexible Couplings



R3007.1

FLEXIBLE COUPLINGS

Material

Anodized aluminium AL7075

Technical Notes

Zero backlash.

The flexure allowed by the beam portion of the coupling is capable of accommodating angular and axial misalignment. High

wrench torque rigidity and sensitivity.

Rotation character of clockwise or anti-clockwise are exactly the same.

Free maintenance, oil-resist and anti-corrossiveness.

R3007 can't allow axial deviation caused by offset.

Offset of angular, parallel or axial deviation are individual allowed value, so couple reasons of axial offset appearing at same time would reduce the unit allowable value.

Order No.	d ₁ tol. h8	d ₂ tol. h8	d ₃	d ₄	l ₁	l ₂	l ₃	w ₁
R3007.A-4-4	4	4	12	2	14	5.2	2.6	4
R3007.A-4-5	4	5	12	2	14	5.2	2.6	4
R3007.A-5-5	5	5	12	2	14	5.2	2.6	4
R3007.B-5-5	5	5	16	2.5	18	6.8	3.4	5
R3007.B-5-6	5	6	16	2.5	18	6.8	3.4	5
R3007.B-6-6	6	6	16	2.5	18	6.8	3.4	5
R3007.C-5-6	5	6	20	2.5	20	7.65	3.8	6.5
R3007.C-5-7	5	7	20	2.5	20	7.65	3.8	6.5
R3007.C-5-8	5	8	20	2.5	20	7.65	3.8	6.5
R3007.C-6-6	6	6	20	2.5	20	7.65	3.8	6.5
R3007.C-6-7	6	7	20	2.5	20	7.65	3.8	6.5
R3007.C-6-8	6	8	20	2.5	20	7.65	3.8	6.5
R3007.C-8-8	8	8	20	2.5	20	7.65	3.8	6.5
R3007.D-5-6	5	6	25	3	25	9.6	4.8	9
R3007.D-6-6	6	6	25	3	25	9.6	4.8	9
R3007.D-6-8	6	8	25	3	25	9.6	4.8	9
R3007.D-6-10	6	10	25	3	25	9.6	4.8	9
R3007.D-8-8	8	8	25	3	25	9.6	4.8	9
R3007.D-8-10	8	10	25	3	25	9.6	4.8	9
R3007.D-10-10	10	10	25	3	25	9.6	4.8	9
R3007.E-8-8	8	8	32	4	32	12.6	6.3	11
R3007.E-8-10	8	10	32	4	32	12.6	6.3	11
R3007.E-10-10	10	10	32	4	32	12.6	6.3	11
R3007.E-10-12	10	12	32	4	32	12.6	6.3	11
R3007.E-10-14	10	14	32	4	32	12.6	6.3	11
R3007.E-12-12	12	12	32	4	32	12.6	6.3	11
R3007.E-12-14	12	14	32	4	32	12.6	6.3	11