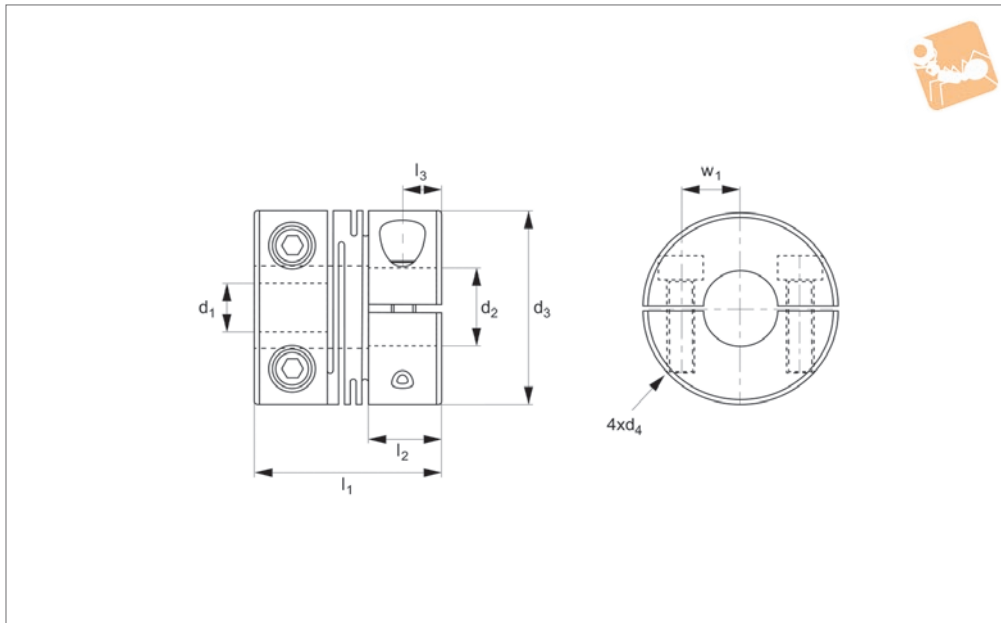
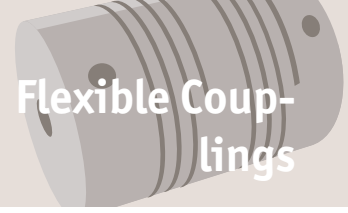




Spiral Beam Coupling - stainless steel clamping type - short type

Flexible Couplings



R3006.2

FLEXIBLE COUPLINGS

Material

Stainless steel SUS303

Technical Notes

Zero backlash.

The flexure allowed by the beam portion of the coupling is capable of accommodating angular and axial misalignment. High

wrench torque rigidity and sensitivity.

Rotation character of clockwise or anti-clockwise are exactly the same.

Free maintenance, oil-resist and anti-corrossiveness.

R3006 can't allow axial deviation caused by offset.

Offset of angular, parallel or axial deviation are individual allowed value, so couple reasons of axial offset appearing at same time would reduce the unit allowable value.

Order No.	d ₁ tol. h8	d ₂ tol. h8	d ₃	d ₄	l ₁	l ₂	l ₃	w ₁
R3006.A-4-4	4	4	12	M2	14	5.2	2.6	4
R3006.A-4-5	4	5	12	M2	14	5.2	2.6	4
R3006.A-5-5	5	5	12	M2	14	5.2	2.6	4
R3006.B-5-5	5	5	16	M2,5	18	6.8	3.4	5
R3006.B-5-6	5	6	16	M2,5	18	6.8	3.4	5
R3006.B-6-6	6	6	16	M2,5	18	6.8	3.4	5
R3006.C-5-6	5	6	20	M2,5	20	7.65	3.8	6.5
R3006.C-5-7	5	7	20	M2,5	20	7.65	3.8	6.5
R3006.C-5-8	5	8	20	M2,5	20	7.65	3.8	6.5
R3006.C-6-6	6	6	20	M2,5	20	7.65	3.8	6.5
R3006.C-6-7	6	7	20	M2,5	20	7.65	3.8	6.5
R3006.C-6-8	6	8	20	M2,5	20	7.65	3.8	6.5
R3006.C-8-8	8	8	20	M2,5	20	7.65	3.8	6.5
R3006.D-5-6	5	6	25	M3	25	9.6	4.8	9
R3006.D-6-6	6	6	25	M3	25	9.6	4.8	9
R3006.D-6-8	6	8	25	M3	25	9.6	4.8	9
R3006.D-6-10	6	10	25	M3	25	9.6	4.8	9
R3006.D-8-8	8	8	25	M3	25	9.6	4.8	9
R3006.D-8-10	8	10	25	M3	25	9.6	4.8	9
R3006.D-10-10	10	10	25	M3	25	9.6	4.8	9
R3006.E-8-8	8	8	32	M4	32	12.6	6.3	11
R3006.E-8-10	8	10	32	M4	32	12.6	6.3	11
R3006.E-10-10	10	10	32	M4	32	12.6	6.3	11
R3006.E-10-12	10	12	32	M4	32	12.6	6.3	11
R3006.E-10-14	10	14	32	M4	32	12.6	6.3	11
R3006.E-12-12	12	12	32	M4	32	12.6	6.3	11
R3006.E-12-14	12	14	32	M4	32	12.6	6.3	11