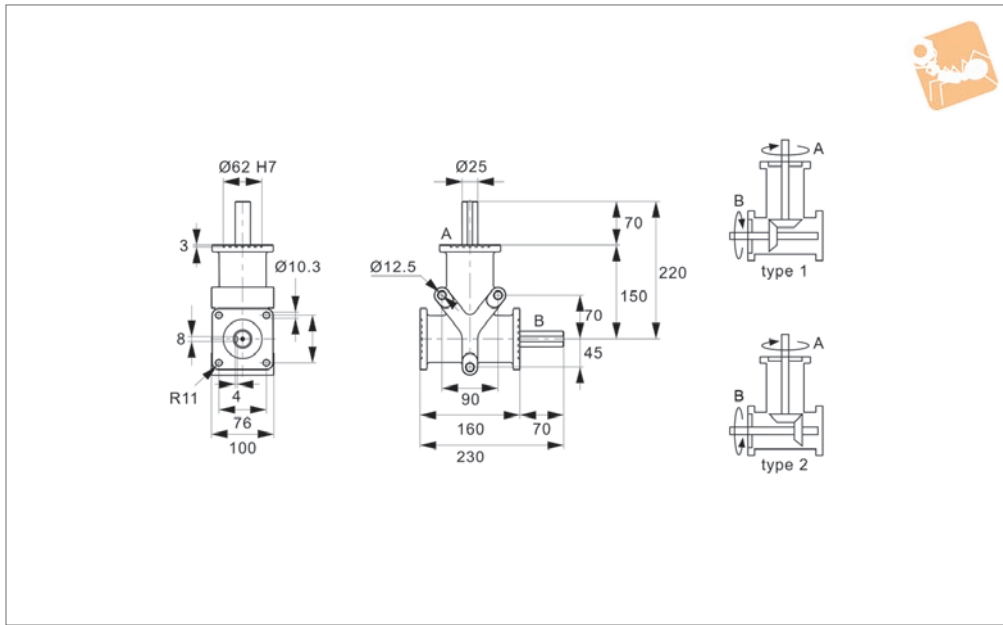




Stainless Right Angle Drives - 2 Shafts

Ø25 shafts

Right Angle Gear Boxes



R2358

RIGHT ANGLE GEAR BOXES

Material

Stainless steel (AISI 316) housing and shafts, seals - NBR. Spiral bevel gears from hardened steel.

Technical Notes

Normally used as speed reducers.
Max. radial loading 400N. Max. axial loading 160N.

Angular alignment: 15' to 30' of arc.

Order No.	Shaft dia. tol. f7	Type	Ratio	Input shaft A kW max.	Output shaft B Nm max.	Weight kg
R2358.1-1	25	1	1:1	4.55	31	9.14
R2358.2-1	25	2	1:1	4.55	31	9.14
R2358.1-2	25	1	2:1	3.37	23	9.14
R2358.2-2	25	2	2:1	3.37	23	9.14