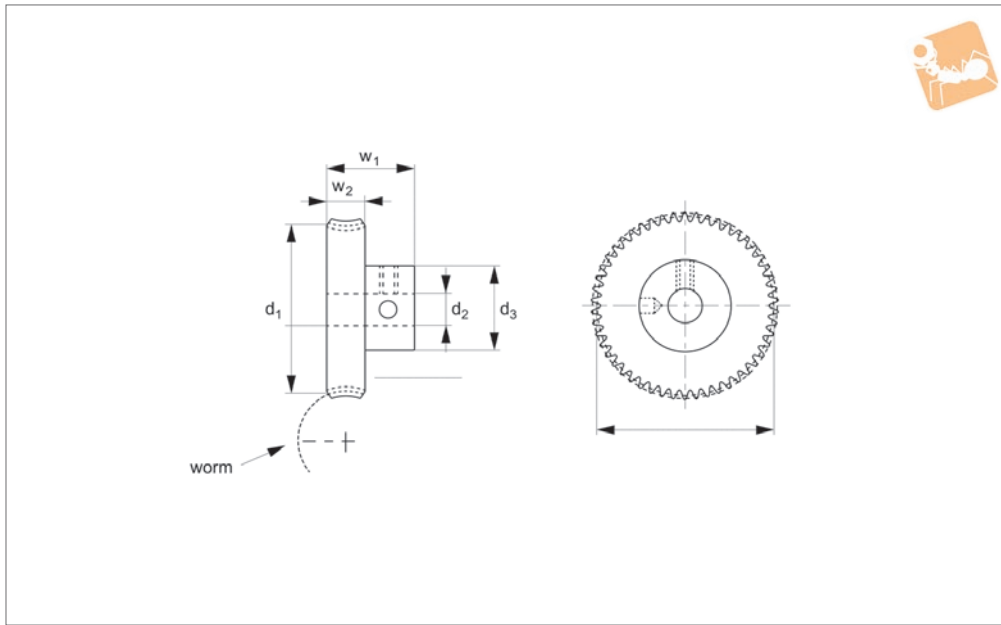




1,0 Module Precision Worm Gears - brass

Other Precision Gears



R2134.1

OTHER PRECISION GEARS

Material

Brass.

Right hand.

Select worm R2136 with corresponding number of threads.

Tips

Ratio=(No. of teeth/No. of worm threads).
For smaller sizes, please see the previous page.

Technical Notes

Quality class DIN 7/AGMA 10.

Order No.	Starts	No. of teeth	Bore dia.	Pitch dia. P.D.	Circular pitch	Helix angle	Pressure angle
R2134.020-12F	Four	20	12	20.00	12.566	18° 26'	25°
R2134.030-12F	Four	30	12	30.00	12.566	18° 26'	25°
R2134.040-12F	Four	40	12	40.00	12.566	18° 26'	25°
R2134.050-12F	Four	50	12	50.00	12.566	18° 26'	25°
R2134.060-12F	Four	60	12	60.00	12.566	18° 26'	25°
R2134.072-12F	Four	72	12	72.00	12.566	18° 26'	25°
R2134.080-12F	Four	80	12	80.00	12.566	18° 26'	25°
R2134.096-12F	Four	96	12	96.00	12.566	18° 26'	25°
R2134.100-12F	Four	100	12	100.00	12.566	18° 26'	25°