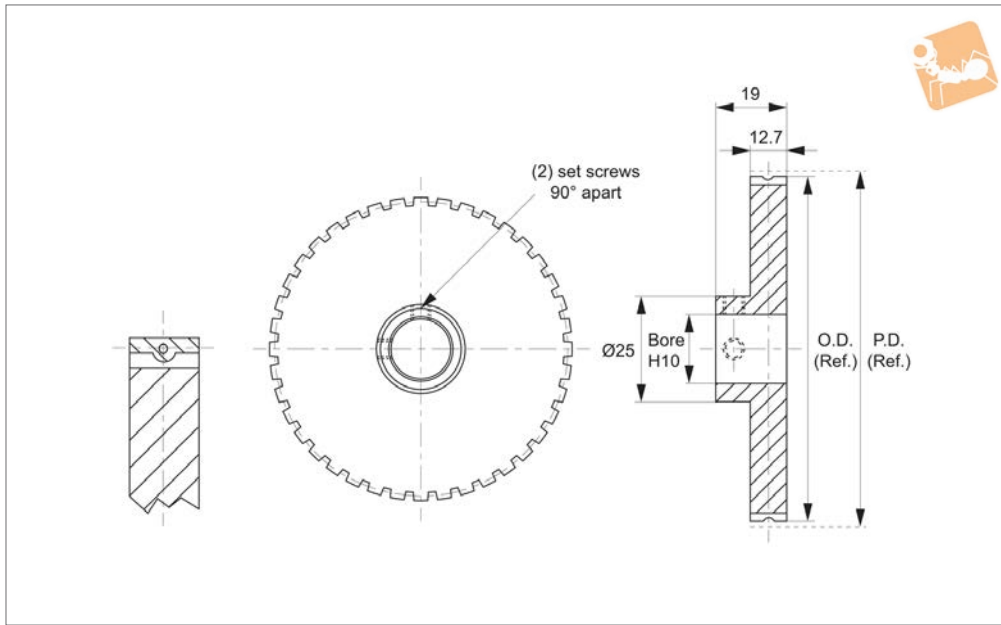




Timing Pulleys - aluminium

9,525mm nominal circular pitch

Chains, Belts & Pulleys



R1410.1

CHAINS, BELTS & PULLEYS

Material

Aluminium DIN 3,1355 anodized.

use only.

pages.

Technical Notes

¹ Pulleys Ø35,0mm PD and smaller for idler

Other no's of teeth available on request.
For larger sizes, please see following

Important Notes

Operates with R1405 belts.

Order No.	No. of teeth	Bore dia.	Outside dia.	Pitch diameter
R1410.010-08	10	Ø8	29.57	30,32 ¹
R1410.011-08	11	Ø8	32.59	33,35 ¹
R1410.012-08	12	Ø8	35.64	36.38
R1410.013-08	13	Ø8	38.66	39.42
R1410.014-08	14	Ø8	41.71	42.45
R1410.015-08	15	Ø8	44.73	45.48
R1410.016-08	16	Ø8	47.75	48.51
R1410.017-08	17	Ø8	50.80	51.54
R1410.018-08	18	Ø8	53.82	54.57
R1410.019-08	19	Ø8	56.87	57.61
R1410.020-08	20	Ø8	59.89	60.64
R1410.021-08	21	Ø8	62.92	63.67
R1410.022-08	22	Ø8	65.96	66.70
R1410.024-08	24	Ø8	72.01	72.77
R1410.026-08	26	Ø8	78.08	78.83
R1410.028-08	28	Ø8	84.15	84.89
R1410.030-08	30	Ø8	90.22	90.96
R1410.032-08	32	Ø8	96.27	97.02
R1410.036-08	36	Ø8	108.41	109.15
R1410.010-10	10	Ø10	29.57	30,32 ¹
R1410.011-10	11	Ø10	32.59	33,35 ¹
R1410.012-10	12	Ø10	35.64	36.38
R1410.013-10	13	Ø10	38.66	39.42
R1410.014-10	14	Ø10	41.71	42.45
R1410.015-10	15	Ø10	44.73	45.48
R1410.016-10	16	Ø10	47.75	48.51
R1410.017-10	17	Ø10	50.80	51.54
R1410.018-10	18	Ø10	53.82	54.57
R1410.019-10	19	Ø10	56.87	57.61
R1410.020-10	20	Ø10	59.89	60.64
R1410.021-10	21	Ø10	62.92	63.67
R1410.022-10	22	Ø10	65.96	66.70
R1410.024-10	24	Ø10	72.01	72.77
R1410.026-10	26	Ø10	78.08	78.83



Order No.	No. of teeth	Bore dia.	Outside dia.	Pitch diameter
R1410.028-10	28	Ø10	84.15	84.89
R1410.030-10	30	Ø10	90.22	90.96
R1410.032-10	32	Ø10	96.27	97.02
R1410.036-10	36	Ø10	108.41	109.15
R1410.010-12	10	Ø12	29.57	30,32 ¹
R1410.011-12	11	Ø12	32.59	33,35 ¹
R1410.012-12	12	Ø12	35.64	36.38
R1410.013-12	13	Ø12	38.66	39.42
R1410.014-12	14	Ø12	41.71	42.45
R1410.015-12	15	Ø12	44.73	45.48
R1410.016-12	16	Ø12	47.75	48.51
R1410.017-12	17	Ø12	50.80	51.54
R1410.018-12	18	Ø12	53.82	54.57
R1410.019-12	19	Ø12	56.87	57.61
R1410.020-12	20	Ø12	59.89	60.64
R1410.021-12	21	Ø12	62.92	63.67
R1410.022-12	22	Ø12	65.96	66.70
R1410.024-12	24	Ø12	72.01	72.77
R1410.026-12	26	Ø12	78.08	78.83
R1410.028-12	28	Ø12	84.15	84.89
R1410.030-12	30	Ø12	90.22	90.96
R1410.032-12	32	Ø12	96.27	97.02
R1410.036-12	36	Ø12	108.41	109.15