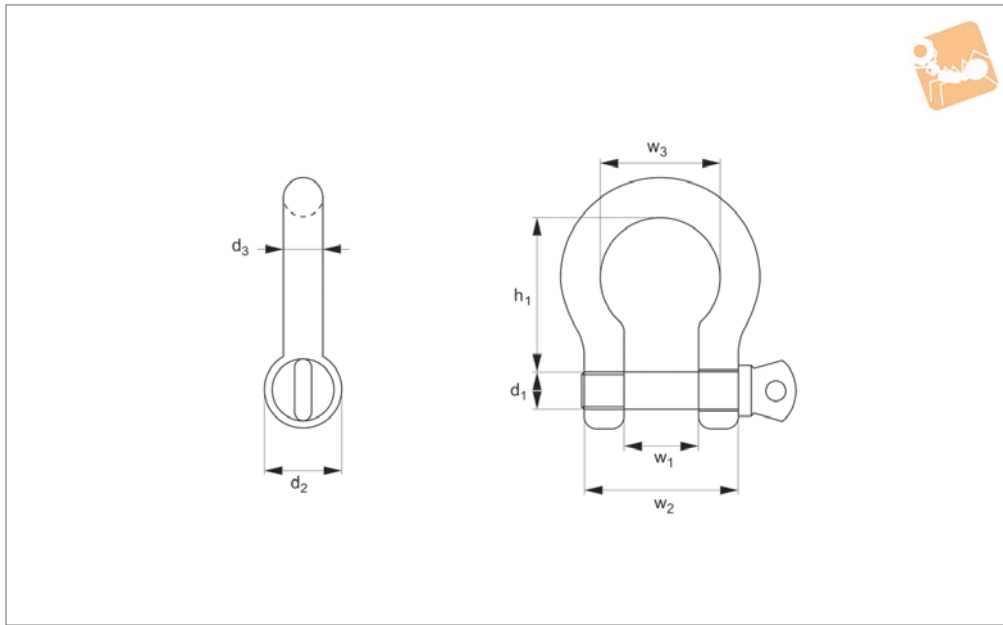




High-tensile Steel Bow Shackles

Lifting Pins,
Lifting Bolts &



P4097

LIFTING PINS, LIFTING BOLTS & SWING BOLTS

Material

High-tensile steel.

Pin: hot-dip galvanized and lacquered;

shackle: hot-dip galvanized.

CE marked.

Order No.	d ₁	d ₂	d ₃	h ₁	w ₁	w ₂	w ₃	Load kg max.	Weight kg
P4097.06	6	12	5	22	9	20	16	330	0.02
P4097.08	8	17	6	28	12	25	19	500	0.05
P4097.10	10	21	8	31	13	29	21	750	0.08
P4097.12	12	26	10	36	16	36	26	1000	0.14
P4097.14	14	28	11	42	18	40	29	1500	0.22
P4097.16	16	30	13	48	21	47	33	2000	0.33
P4097.20	20	42	16	60	27	59	43	3250	0.65
P4097.22	22	48	19	71	32	70	51	4750	0.97
P4097.27	27	57	22	84	36	80	58	6500	1.46
P4097.28	28	62	25	95	43	93	68	8500	2.39
P4097.33	33	69	29	103	46	104	74	9500	3.15
P4097.36	36	78	32	119	52	116	82	12000	4.32
P4097.39	39	86	35	133	57	127	92	13500	5.67
P4097.42	42	94	38	146	60	136	98	17000	7.79
P4097.52	52	112	44	178	73	161	127	25000	12.51
P4097.60	60	135	51	197	83	185	146	35000	18.50
P4097.72	72	158	63	267	106	232	184	55000	37.58