

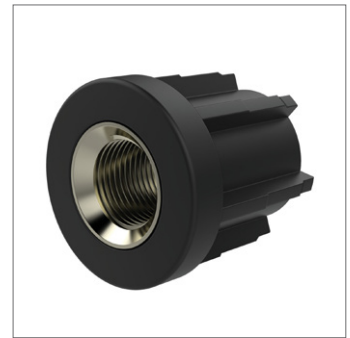
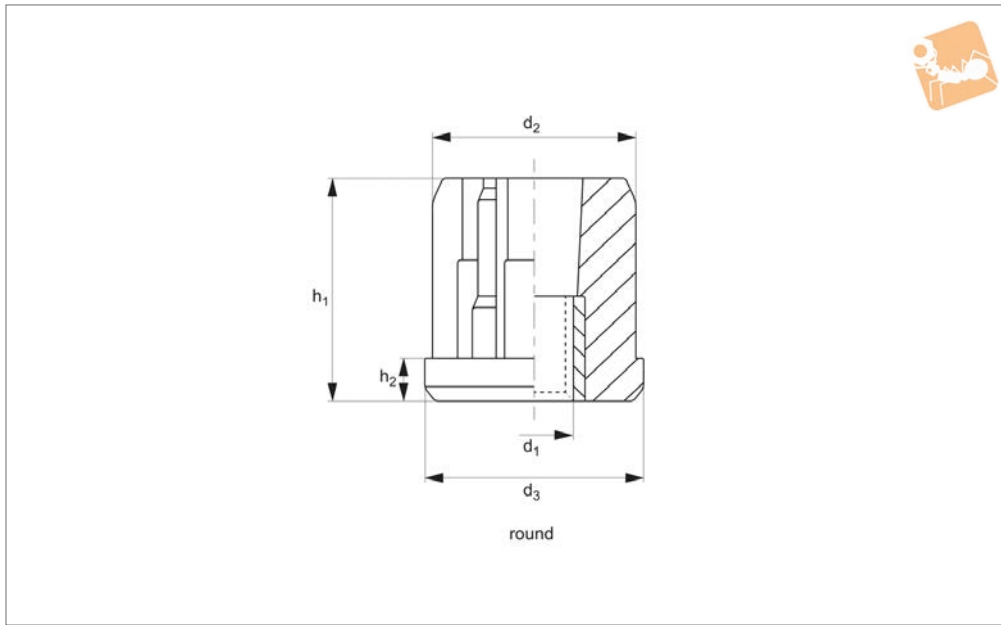


Threaded Plastic Insert - Round

with nickel plated brass bush



Levelling Feet



P2212.R

LEVELLING FEET

Material

Moulding: polyamide, reinforced with fiber glass.

Insert: nickel-plated brass.

Notes -

Stainless steel inserts available on request.

Order No.	d ₁	d ₂	d ₃	h ₁	h ₂	Static load kN max.
P2212.30-28-R10	M10	28.5	30	35	6	3.2
P2212.30-28-R12	M12	28.5	30	35	6	3.2
P2212.30-28-R14	M14	28.5	30	35	6	3.2
P2212.30-28-R16	M16	28.5	30	35	6	3.2
P2212.38-35-R10	M10	35.5	38	43	8	5.5
P2212.38-35-R12	M12	35.5	38	43	8	5.5
P2212.38-35-R14	M14	35.5	38	43	8	5.5
P2212.38-35-R16	M16	35.5	38	43	8	5.5
P2212.42-39-R10	M10	39.5	42	42	8	6.5
P2212.42-39-R12	M12	39.5	42	42	8	6.5
P2212.42-39-R14	M14	39.5	42	42	8	6.5
P2212.42-39-R16	M16	39.5	42	42	8	6.5
P2212.42-39-R20	M20	39.5	42	42	8	6.5
P2212.48-45-R10	M10	45.5	48	49	11	8.0
P2212.48-45-R12	M12	45.5	48	49	11	8.0
P2212.48-45-R14	M14	45.5	48	49	11	8.0
P2212.48-45-R16	M16	45.5	48	49	11	8.0
P2212.48-45-R20	M20	45.5	48	49	11	8.0
P2212.50-47-R14	M14	47.5	50	49	11	8.5
P2212.50-47-R16	M16	47.5	50	49	11	8.5
P2212.50-47-R20	M20	47.5	50	49	11	8.5
P2212.60-57-R14	M14	57.5	60	50	12	10.0
P2212.60-57-R16	M16	57.5	60	50	12	10.0
P2212.60-57-R20	M20	57.5	60	50	12	10.0
P2212.60-57-R24	M24	57.5	60	50	12	10.0
P2212.60-56-R14	M14	56.5	60	50	12	10.0
P2212.60-56-R16	M16	56.5	60	50	12	10.0
P2212.60-56-R20	M20	56.5	60	50	12	10.0
P2212.60-56-R24	M24	56.5	60	50	12	10.0
P2212.60-55-R14	M14	55.5	60	50	12	10.0
P2212.60-55-R16	M16	55.5	60	50	12	10.0
P2212.60-55-R20	M20	55.5	60	50	12	10.0
P2212.60-55-R24	M24	55.5	60	50	12	10.0



A Range of features to suit your application

Product selection

To ensure you select the most suitable levelling feet for your application consider the following questions:

- Tilting or fixed?
- Material required - steel, stainless or plastic?
- Load carrying capacity - light, medium or heavy duty?
(Review the quoted load capacities in the individual product tables).
- Bolt down feature required?
- Threaded or plastic insert required for mounting?
- Optional extras: hygiene seal, rubber pad, (subject to minimum quantity and selected model).

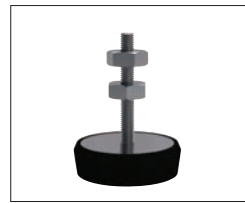
Key types



Fixed feet



Articulating levelling foot



Machine mounts



Fulcrum screw

Available features



Articulation



Standard nylon base



Anti-slip base



Bolt down base



Hygienic seal



Hex for easy installation

Materials



Steel thread - Nylon base



Stainless thread - Nylon base



Steel thread - Steel base



Stainless thread - Stainless base

Mounting inserts



Weldable insert



Hollow section insert



Hollow section bushed insert

Additional technical information



▶ For applications under greater loads and requiring increased precision of adjustment see our range of Precision Height Adjusters.

▶ For applications exposed to extreme vibrations see our range of Anti-Vibration Mounts.

