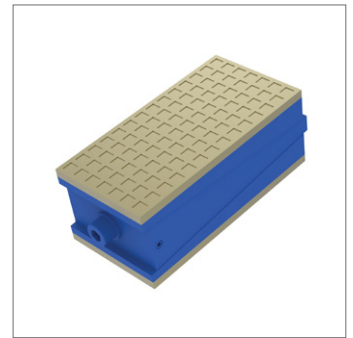
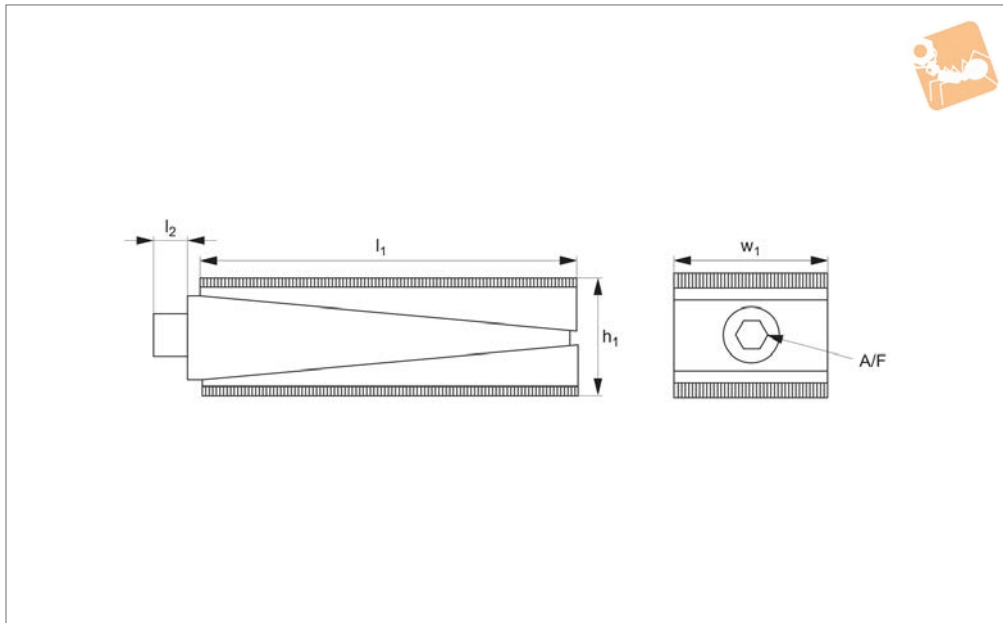




# Wedge Mounts anti-vibration



## Levelling Feet



**P2170**

LEVELLING FEET

### Material

Cast body, coated, with rubber base (65 Shore A) or harder polyurethane base (90 Shore A).

heavy loads. Adjustment by means of allen key on side.  
Adjustment is  $\pm 5\text{mm}$  or  $\pm 10\text{mm}$  depending on version selected - see table.

### Tips

The rubber base versions have lower load carrying capacity but are less expensive than the polyurethane versions.  
Studded version available on the website.

### Technical Notes

For leveling and vibration dampening of

Order No.	$h_1$	$l_1$	$w_1$	$l_2$	A/F	Base material	Load range kgf
P2170.R150	60 $\pm$ 5	150	75	12	12	Rubber	500 - 1000
P2170.P150	60 $\pm$ 5	150	75	12	12	Polyurethane	700 - 2500
P2170.R220	70 $\pm$ 10	200	100	12	12	Rubber	1500 - 3000
P2170.P220	70 $\pm$ 10	200	100	12	12	Polyurethane	3000 - 6000