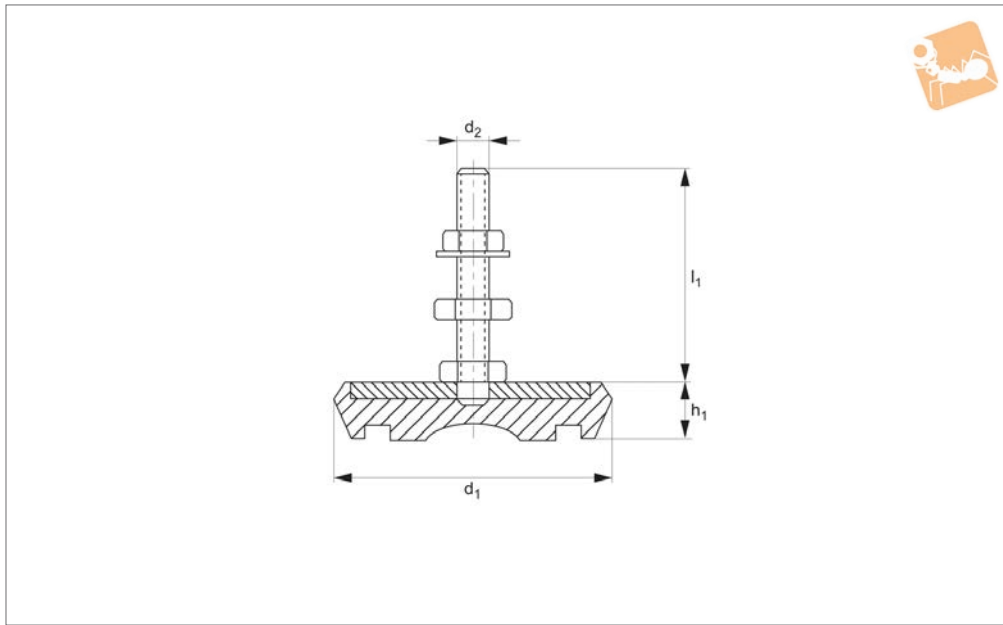




Stainless Machine Mounts rubber rubber base



Levelling Feet



P2160

LEVELLING FEET

Material

Stainless steel body and thread (A2, AISI 304), with rubber base (65 Shore A).

Technical Notes

Suitable for medium and high frequency vibrations and with smooth floors.

Order No.	d ₁	h ₁	d ₂	l ₁	Load range kgf
P2160.040	40	15	M 8	40	0-60
P2160.063	63	18	M10	83	30-100
P2160.070	70	22	M12	90	80-150
P2160.090	90	25	M12	90	100-350
P2160.106	106	29	M16	110	300-600
P2160.127	127	33	M16	110	500-900
P2160.150	150	39	M16	110	800-1500
P2160.170	170	42	M16	110	1300-2000