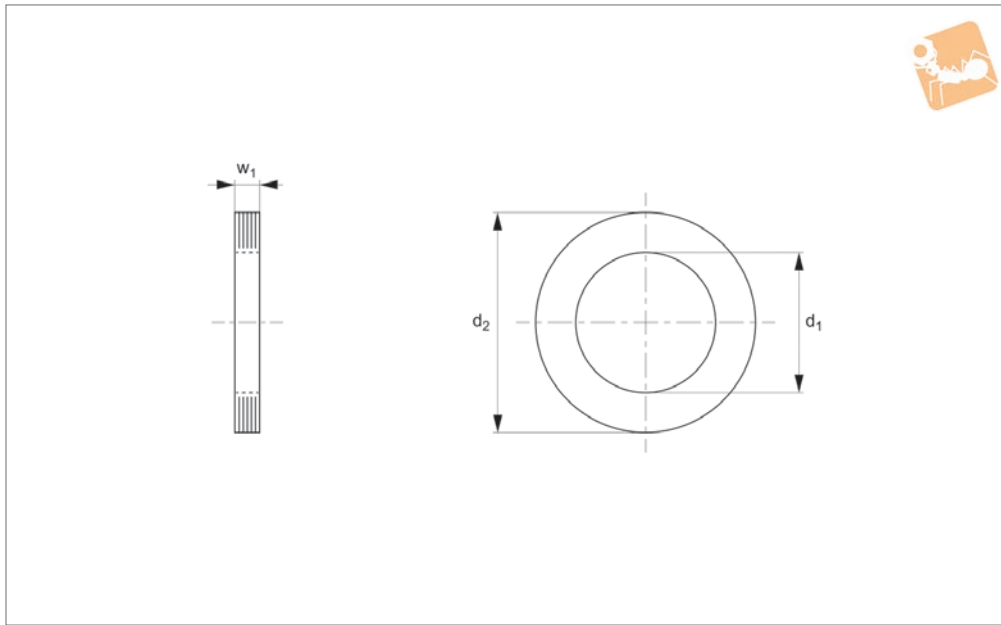
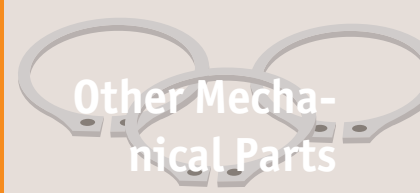




Outer Race Bearing Spacers

stainless



P1322

OTHER MECHANICAL PARTS

Material

Stainless steel (DIN 1.4300).

Order No.	d_1 +0.00 -0.13	d_2 +0.13 -0.00	w_1 ± 0.025
P1322.070-15	7.0	6.25	0.15
P1322.070-25	7.0	6.25	0.25
P1322.080-15	8.0	6.75	0.15
P1322.080-25	8.0	6.75	0.25
P1322.090-15	9.0	7.85	0.15
P1322.090-25	9.0	7.85	0.25
P1322.090-40	9.0	7.85	0.40
P1322.100-15	10.0	8.25	0.15
P1322.100-25	10.0	8.25	0.25
P1322.110-15	11.0	10.00	0.15
P1322.110-25	11.0	10.00	0.25
P1322.130-15	13.0	11.15	0.15
P1322.130-25	13.0	11.15	0.25
P1322.130-40	13.0	11.15	0.40
P1322.150-15	15.0	13.00	0.15
P1322.150-25	15.0	13.00	0.25
P1322.160-15	16.0	13.85	0.15
P1322.160-25	16.0	13.85	0.25
P1322.160-40	16.0	13.85	0.40
P1322.190-15	19.0	16.65	0.15
P1322.190-25	19.0	16.65	0.25
P1322.190-40	19.0	16.65	0.40