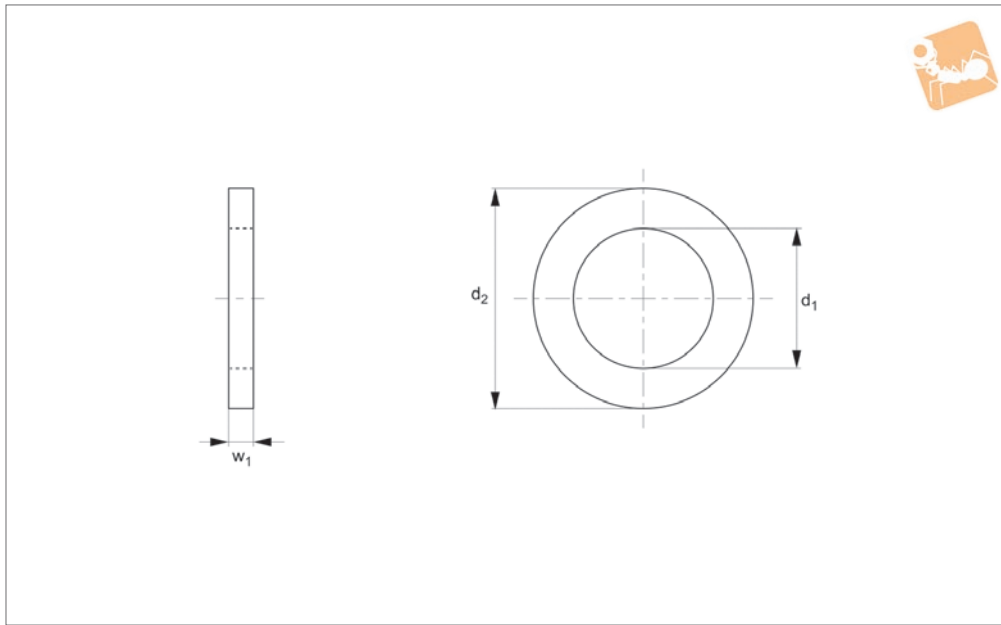
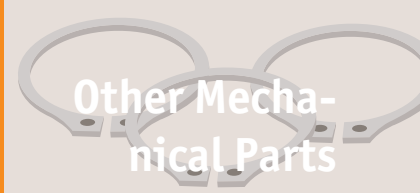




# Inner Race Shaft Spacers

stainless



**P1320**

OTHER MECHANICAL PARTS

### Material

Stainless steel (DIN 1.4310).

| Order No.     | Shaft or bearing i/d | $d_1$<br>+0.13 -0.00 | $d_2$<br>±0.13 | $w_1$<br>±0.025 |
|---------------|----------------------|----------------------|----------------|-----------------|
| P1320.030-010 | 3.0                  | 3.05                 | 3.73           | 0.10            |
| P1320.030-015 | 3.0                  | 3.05                 | 3.73           | 0.15            |
| P1320.040-010 | 4.0                  | 4.05                 | 5.30           | 0.10            |
| P1320.040-015 | 4.0                  | 4.05                 | 5.30           | 0.15            |
| P1320.040-025 | 4.0                  | 4.05                 | 5.30           | 0.25            |
| P1320.040-040 | 4.0                  | 4.05                 | 5.30           | 0.40            |
| P1320.050-010 | 5.0                  | 5.05                 | 5.93           | 0.10            |
| P1320.050-015 | 5.0                  | 5.05                 | 5.93           | 0.15            |
| P1320.050-025 | 5.0                  | 5.05                 | 5.93           | 0.25            |
| P1320.050-040 | 5.0                  | 5.05                 | 5.93           | 0.40            |
| P1320.060-010 | 6.0                  | 6.05                 | 7.90           | 0.10            |
| P1320.060-015 | 6.0                  | 6.05                 | 7.90           | 0.15            |
| P1320.060-025 | 6.0                  | 6.05                 | 7.90           | 0.25            |
| P1320.060-040 | 6.0                  | 6.05                 | 7.90           | 0.40            |
| P1320.080-010 | 8.0                  | 8.05                 | 10.20          | 0.10            |
| P1320.080-015 | 8.0                  | 8.05                 | 10.20          | 0.15            |
| P1320.080-025 | 8.0                  | 8.05                 | 10.20          | 0.25            |
| P1320.080-040 | 8.0                  | 8.05                 | 10.20          | 0.40            |
| P1320.100-010 | 10.0                 | 10.05                | 12.30          | 0.10            |
| P1320.100-015 | 10.0                 | 10.05                | 12.30          | 0.15            |
| P1320.100-025 | 10.0                 | 10.05                | 12.30          | 0.25            |