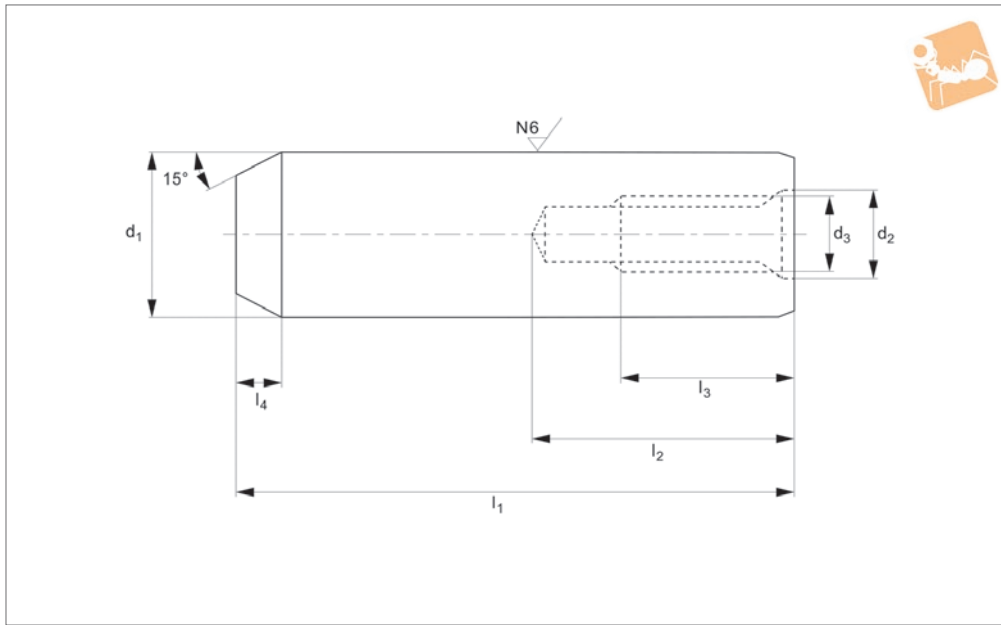
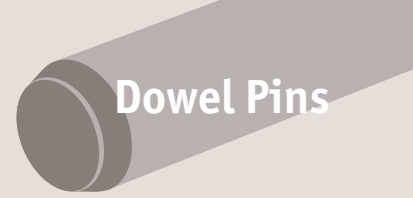




# Stainless Extractable Dowel Pins with air release



**P1213**

DOWEL PINS

### Material

Stainless steel 1.4305

### Technical Notes

To DIN 7979C. Ground flat along length for air release.

Order No.	d <sub>1</sub> tol. m6	l <sub>1</sub> tol. js15	l <sub>2</sub> min.	l <sub>3</sub>	l <sub>4</sub>	d <sub>2</sub>
P1213.040-010	4	10	7	4.5	1.3	M 2,5
P1213.040-012	4	12	7	4.5	1.3	M 2,5
P1213.040-014	4	14	7	4.5	1.3	M 2,5
P1213.040-016	4	16	7	4.5	1.3	M 2,5
P1213.040-018	4	18	7	4.5	1.3	M 2,5
P1213.040-020	4	20	7	4.5	1.3	M 2,5
P1213.040-024	4	24	7	4.5	1.3	M 2,5
P1213.040-028	4	28	7	4.5	1.3	M 2,5
P1213.040-030	4	30	7	4.5	1.3	M 2,5
P1213.040-032	4	32	7	4.5	1.3	M 2,5
P1213.040-036	4	36	7	4.5	1.3	M 2,5
P1213.040-040	4	40	7	4.5	1.3	M 2,5
P1213.040-045	4	45	7	4.5	1.3	M 2,5
P1213.040-050	4	50	7	4.5	1.3	M 2,5
P1213.050-010	5	10	7	4.5	1.7	M 3
P1213.050-012	5	12	7	4.5	1.7	M 3
P1213.050-014	5	14	7	4.5	1.7	M 3
P1213.050-016	5	16	7	4.5	1.7	M 3
P1213.050-018	5	18	7	4.5	1.7	M 3
P1213.050-020	5	20	7	4.5	1.7	M 3
P1213.050-024	5	24	7	4.5	1.7	M 3
P1213.050-028	5	28	7	4.5	1.7	M 3
P1213.050-030	5	30	7	4.5	1.7	M 3
P1213.050-032	5	32	7	4.5	1.7	M 3
P1213.050-036	5	36	7	4.5	1.7	M 3
P1213.050-040	5	40	7	4.5	1.7	M 3
P1213.050-045	5	45	7	4.5	1.7	M 3
P1213.050-050	5	50	7	4.5	1.7	M 3
P1213.060-012	6	12	10	6	2.1	M 4
P1213.060-014	6	14	10	6	2.1	M 4
P1213.060-016	6	16	10	6	2.1	M 4
P1213.060-018	6	18	10	6	2.1	M 4
P1213.060-020	6	20	10	6	2.1	M 4
P1213.060-024	6	24	10	6	2.1	M 4



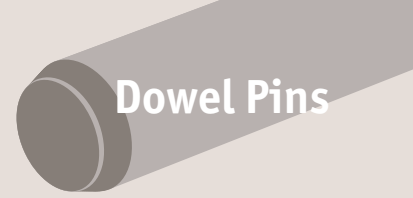
DOWEL PINS

Order No.	d <sub>1</sub> tol. m6	l <sub>1</sub> tol. js15	l <sub>2</sub> min.	l <sub>3</sub>	l <sub>4</sub>	d <sub>2</sub>
P1213.060-028	6	28	10	6	2.1	M 4
P1213.060-030	6	30	10	6	2.1	M 4
P1213.060-032	6	32	10	6	2.1	M 4
P1213.060-036	6	36	10	6	2.1	M 4
P1213.060-040	6	40	10	6	2.1	M 4
P1213.060-045	6	45	10	6	2.1	M 4
P1213.060-050	6	50	10	6	2.1	M 4
P1213.060-055	6	55	10	6	2.1	M 4
P1213.060-060	6	60	10	6	2.1	M 4
P1213.060-070	6	70	10	6	2.1	M 4
P1213.060-080	6	80	10	6	2.1	M 4
P1213.060-090	6	90	10	6	2.1	M 4
P1213.080-016	8	16	12	8	2.6	M 5
P1213.080-020	8	20	12	8	2.6	M 5
P1213.080-024	8	24	12	8	2.6	M 5
P1213.080-028	8	28	12	8	2.6	M 5
P1213.080-030	8	30	12	8	2.6	M 5
P1213.080-032	8	32	12	8	2.6	M 5
P1213.080-036	8	36	12	8	2.6	M 5
P1213.080-040	8	40	12	8	2.6	M 5
P1213.080-045	8	45	12	8	2.6	M 5
P1213.080-050	8	50	12	8	2.6	M 5
P1213.080-055	8	55	12	8	2.6	M 5
P1213.080-060	8	60	12	8	2.6	M 5
P1213.080-070	8	70	12	8	2.6	M 5
P1213.080-080	8	80	12	8	2.6	M 5
P1213.080-090	8	90	12	8	2.6	M 5
P1213.080-100	8	100	12	8	2.6	M 5
P1213.100-016	10	16	16	10	3.0	M 6
P1213.100-018	10	18	16	10	3.0	M 6
P1213.100-020	10	20	16	10	3.0	M 6
P1213.100-024	10	24	16	10	3.0	M 6
P1213.100-028	10	28	16	10	3.0	M 6
P1213.100-030	10	30	16	10	3.0	M 6
P1213.100-032	10	32	16	10	3.0	M 6
P1213.100-036	10	36	16	10	3.0	M 6
P1213.100-040	10	40	16	10	3.0	M 6
P1213.100-045	10	45	16	10	3.0	M 6
P1213.100-050	10	50	16	10	3.0	M 6
P1213.100-055	10	55	16	10	3.0	M 6
P1213.100-060	10	60	16	10	3.0	M 6
P1213.100-070	10	70	16	10	3.0	M 6
P1213.100-080	10	80	16	10	3.0	M 6
P1213.100-090	10	90	16	10	3.0	M 6
P1213.100-100	10	100	16	10	3.0	M 6
P1213.100-120	10	120	16	10	3.0	M 6
P1213.120-020	12	20	16	10	3.8	M 6
P1213.120-024	12	24	16	10	3.8	M 6
P1213.120-028	12	28	16	10	3.8	M 6
P1213.120-030	12	30	16	10	3.8	M 6
P1213.120-032	12	32	16	10	3.8	M 6
P1213.120-036	12	36	16	10	3.8	M 6
P1213.120-040	12	40	16	10	3.8	M 6
P1213.120-045	12	45	16	10	3.8	M 6
P1213.120-050	12	50	16	10	3.8	M 6
P1213.120-055	12	55	16	10	3.8	M 6
P1213.120-060	12	60	16	10	3.8	M 6
P1213.120-070	12	70	16	10	3.8	M 6
P1213.120-080	12	80	16	10	3.8	M 6
P1213.120-090	12	90	16	10	3.8	M 6
P1213.120-100	12	100	16	10	3.8	M 6
P1213.120-120	12	120	16	10	3.8	M 6
P1213.140-028	14	28	20	12	4.0	M 8
P1213.140-030	14	30	20	12	4.0	M 8
P1213.140-032	14	32	20	12	4.0	M 8
P1213.140-036	14	36	20	12	4.0	M 8
P1213.140-040	14	40	20	12	4.0	M 8
P1213.140-045	14	45	20	12	4.0	M 8



# Stainless Extractable Dowel Pins

with air release



Dowel Pins

Order No.	d <sub>1</sub> tol. m6	l <sub>1</sub> tol. js15	l <sub>2</sub> min.	l <sub>3</sub>	l <sub>4</sub>	d <sub>2</sub>
P1213.140-050	14	50	20	12	4.0	M 8
P1213.140-055	14	55	20	12	4.0	M 8
P1213.140-060	14	60	20	12	4.0	M 8
P1213.140-070	14	70	20	12	4.0	M 8
P1213.140-080	14	80	20	12	4.0	M 8
P1213.140-090	14	90	20	12	4.0	M 8
P1213.140-100	14	100	20	12	4.0	M 8
P1213.140-120	14	120	20	12	4	M 8
P1213.160-032	16	32	20	12	4.7	M 8
P1213.160-036	16	36	20	12	4.7	M 8
P1213.160-040	16	40	20	12	4.7	M 8
P1213.160-045	16	45	20	12	4.7	M 8
P1213.160-050	16	50	20	12	4.7	M 8
P1213.160-055	16	55	20	12	4.7	M 8
P1213.160-060	16	60	20	12	4.7	M 8
P1213.160-070	16	70	20	12	4.7	M 8
P1213.160-080	16	80	20	12	4.7	M 8
P1213.160-090	16	90	20	12	4.7	M 8
P1213.160-100	16	100	20	12	4.7	M 8
P1213.160-120	16	120	20	12	4.7	M 8
P1213.200-032	20	32	25	16	6.0	M10
P1213.200-036	20	36	25	16	6.0	M10
P1213.200-040	20	40	25	16	6.0	M10
P1213.200-045	20	45	25	16	6.0	M10
P1213.200-050	20	50	25	16	6.0	M10
P1213.200-055	20	55	25	16	6.0	M10
P1213.200-060	20	60	25	16	6.0	M10
P1213.200-070	20	70	25	16	6.0	M10
P1213.200-080	20	80	25	16	6.0	M10
P1213.200-090	20	90	25	16	6.0	M10
P1213.200-100	20	100	25	16	6.0	M10
P1213.200-120	20	120	25	16	6.0	M10

DOWEL PINS