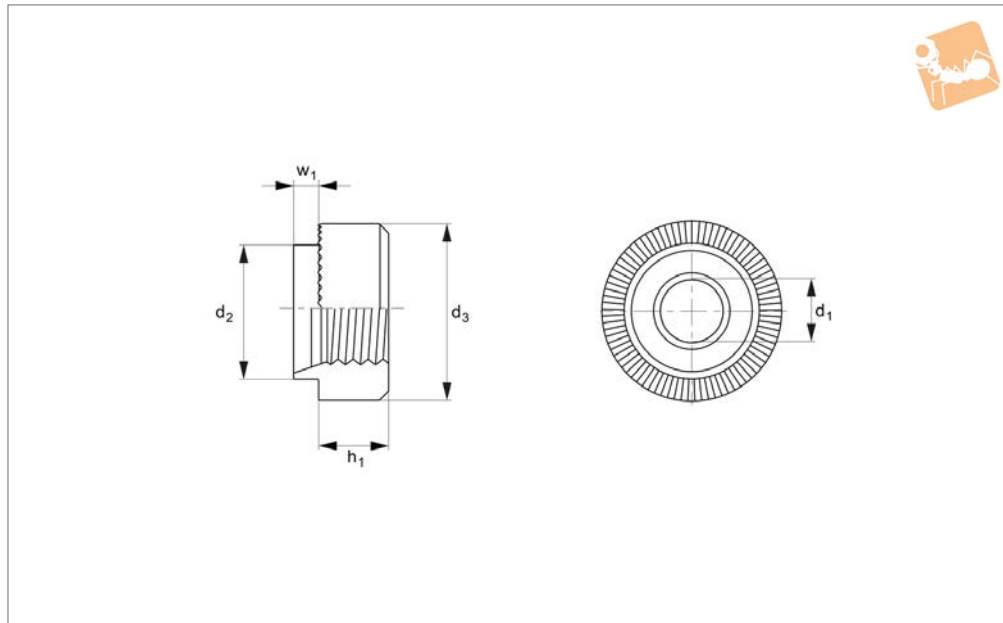
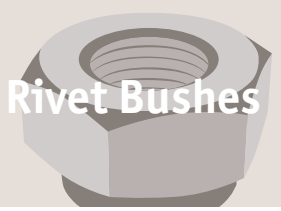




Mini Rivet Bushes

Steel, zinc-plated

Rivet Bushes



P0829.ZP

RIVET BUSHES

Material

Steel, zinc-plated.

Technical Notes

Mini rivet bushes are used where space is

limited. They are securely locked by means of a thin spigot. The presence of serrations provide additional anchorage.

These bushes can be installed by a press or

using a hammer.

| Order No. | d ₁ | Panel thickness | w ₁ | d ₂ | d ₃ | h ₁ | For gauge |
|------------------|----------------|-----------------|----------------|----------------|----------------|----------------|-----------|
| P0829.020-22G-ZP | M2 | 0.8 | 1,3-1,5 | 3.5 | 5.0 | 2.3 | 22G |
| P0829.020-20G-ZP | M2 | 1.0 | 1,5-1,7 | 3.5 | 5.0 | 2.3 | 20G |
| P0829.020-18G-ZP | M2 | 1.2 | 1,7-1,9 | 3.5 | 5.0 | 2.3 | 18G |
| P0829.020-16G-ZP | M2 | 1.5 | 2,0-2,2 | 3.5 | 5.0 | 2.3 | 16G |
| P0829.020-14G-ZP | M2 | 2.0 | 2,5-2,7 | 3.5 | 5.0 | 2.3 | 14G |
| P0829.020-12G-ZP | M2 | 2.5 | 3,0-3,2 | 3.5 | 5.0 | 2.3 | 12G |
| P0829.020-10G-ZP | M2 | 3.0 | 3,5-3,7 | 3.5 | 5.0 | 2.3 | 10G |
| P0829.020-08G-ZP | M2 | 4.0 | 4,5-4,7 | 3.5 | 5.0 | 2.3 | 8G |
| P0829.025-22G-ZP | M2,5 | 0.8 | 1,3-1,5 | 4.19 | 5.5 | 2.8 | 22G |
| P0829.025-20G-ZP | M2,5 | 1.0 | 1,5-1,7 | 4.19 | 5.5 | 2.8 | 20G |
| P0829.025-18G-ZP | M2,5 | 1.2 | 1,7-1,9 | 4.19 | 5.5 | 2.8 | 18G |
| P0829.025-16G-ZP | M2,5 | 1.5 | 2,0-2,2 | 4.19 | 5.5 | 2.8 | 16G |
| P0829.025-14G-ZP | M2,5 | 2.0 | 2,5-2,7 | 4.19 | 5.5 | 2.8 | 14G |
| P0829.025-12G-ZP | M2,5 | 2.5 | 3,0-3,2 | 4.19 | 5.5 | 2.8 | 12G |
| P0829.025-10G-ZP | M2,5 | 3.0 | 3,5-3,7 | 4.19 | 5.5 | 2.8 | 10G |
| P0829.025-08G-ZP | M2,5 | 4.0 | 4,5-4,7 | 4.19 | 5.5 | 2.8 | 8G |
| P0829.030-22G-ZP | M3 | 0.8 | 1,3-1,5 | 4.19 | 5.5 | 2.8 | 22G |
| P0829.030-20G-ZP | M3 | 1.0 | 1,5-1,7 | 4.19 | 5.5 | 2.8 | 20G |
| P0829.030-18G-ZP | M3 | 1.2 | 1,7-1,9 | 4.19 | 5.5 | 2.8 | 18G |
| P0829.030-16G-ZP | M3 | 1.5 | 2,0-2,2 | 4.19 | 5.5 | 2.8 | 16G |
| P0829.030-14G-ZP | M3 | 2.0 | 2,5-2,7 | 4.19 | 5.5 | 2.8 | 14G |
| P0829.030-12G-ZP | M3 | 2.5 | 3,0-3,2 | 4.19 | 5.5 | 2.8 | 12G |
| P0829.030-10G-ZP | M3 | 3.0 | 3,5-3,7 | 4.19 | 5.5 | 2.8 | 10G |
| P0829.030-08G-ZP | M3 | 4.0 | 4,5-4,7 | 4.19 | 5.5 | 2.8 | 8G |
| P0829.040-22G-ZP | M4 | 0.8 | 1,3-1,5 | 5.41 | 7.0 | 3.2 | 22G |
| P0829.040-20G-ZP | M4 | 1.0 | 1,5-1,7 | 5.41 | 7.0 | 3.2 | 20G |
| P0829.040-18G-ZP | M4 | 1.2 | 1,7-1,9 | 5.41 | 7.0 | 3.2 | 18G |
| P0829.040-16G-ZP | M4 | 1.5 | 2,0-2,2 | 5.41 | 7.0 | 3.2 | 16G |
| P0829.040-14G-ZP | M4 | 2.0 | 2,5-2,7 | 5.41 | 7.0 | 3.2 | 14G |
| P0829.040-12G-ZP | M4 | 2.5 | 3,0-3,2 | 5.41 | 7.0 | 3.2 | 12G |
| P0829.040-10G-ZP | M4 | 3.0 | 3,5-3,7 | 5.41 | 7.0 | 3.2 | 10G |
| P0829.040-08G-ZP | M4 | 4.0 | 4,5-4,7 | 5.41 | 7.0 | 3.2 | 8G |
| P0829.050-22G-ZP | M5 | 0.8 | 1,3-1,5 | 6.4 | 8.5 | 3.8 | 22G |
| P0829.050-20G-ZP | M5 | 1.0 | 1,5-1,7 | 6.4 | 8.5 | 3.8 | 20G |



| Order No. | d ₁ | Panel thickness | w ₁ | d ₂ | d ₃ | h ₁ | For gauge |
|------------------|----------------|-----------------|----------------|----------------|----------------|----------------|-----------|
| P0829.050-18G-ZP | M5 | 1.2 | 1,7-1,9 | 6.4 | 8.5 | 3.8 | 18G |
| P0829.050-16G-ZP | M5 | 1.5 | 2,0-2,2 | 6.4 | 8.5 | 3.8 | 16G |
| P0829.050-14G-ZP | M5 | 2.0 | 2,5-2,7 | 6.4 | 8.5 | 3.8 | 14G |
| P0829.050-12G-ZP | M5 | 2.5 | 3,0-3,2 | 6.4 | 8.5 | 3.8 | 12G |
| P0829.050-10G-ZP | M5 | 3.0 | 3,5-3,7 | 6.4 | 8.5 | 3.8 | 10G |
| P0829.050-08G-ZP | M5 | 4.0 | 4,5-4,7 | 6.4 | 8.5 | 3.8 | 8G |
| P0829.060-22G-ZP | M6 | 0.8 | 1,3-1,5 | 7.7 | 10 | 5.1 | 22G |
| P0829.060-20G-ZP | M6 | 1.0 | 1,5-1,7 | 7.7 | 10 | 5.1 | 20G |
| P0829.060-18G-ZP | M6 | 1.2 | 1,7-1,9 | 7.7 | 10 | 5.1 | 18G |
| P0829.060-16G-ZP | M6 | 1.5 | 2,0-2,2 | 7.7 | 10 | 5.1 | 16G |
| P0829.060-14G-ZP | M6 | 2.0 | 2,5-2,7 | 7.7 | 10 | 5.1 | 14G |
| P0829.060-12G-ZP | M6 | 2.5 | 3,0-3,2 | 7.7 | 10 | 5.1 | 12G |
| P0829.060-10G-ZP | M6 | 3.0 | 3,5-3,7 | 7.7 | 10 | 5.1 | 10G |
| P0829.060-08G-ZP | M6 | 4.0 | 4,5-4,7 | 7.7 | 10 | 5.1 | 8G |