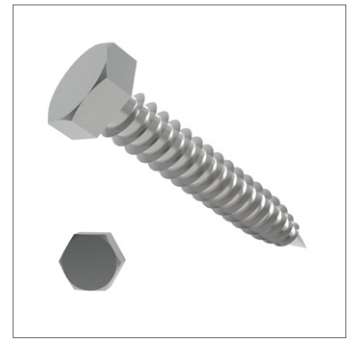
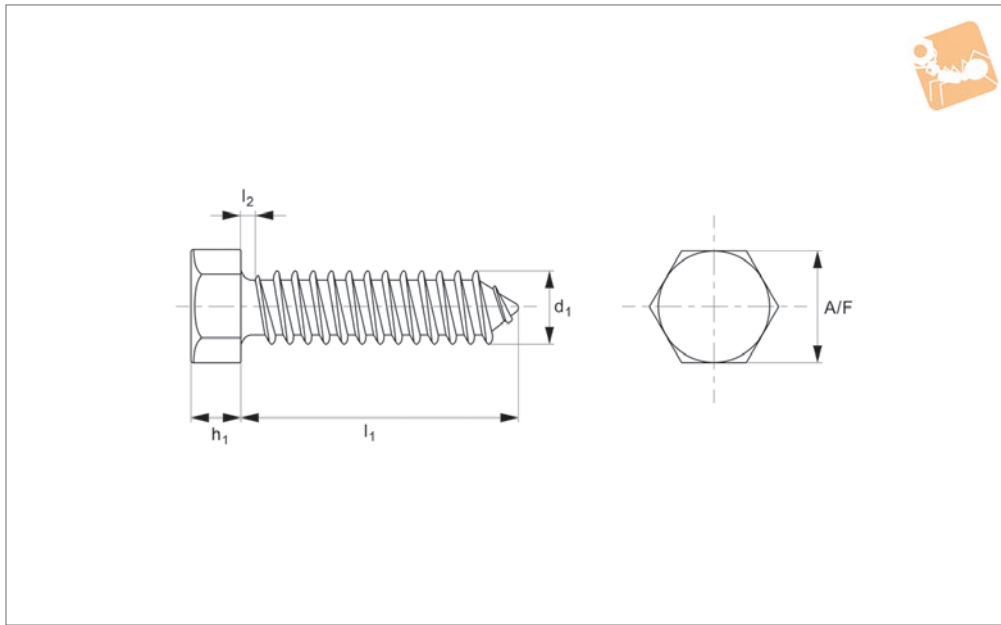




Hex Head AB Tappers

AB Tappers - steel, zinc-plated



P0630.ZP

SELF TAPPERS

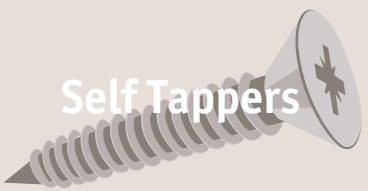
Material

Steel, zinc-plated.

Technical Notes

To DIN 7976C, ISO 1479 type C.

Order No.	d ₁	l ₁	l ₂	h ₁	A/F
P0630.029-009-ZP	2.9	9.5	1.1	1.5	5
P0630.029-013-ZP	2.9	13.0	1.1	1.5	5
P0630.029-016-ZP	2.9	16.0	1.1	1.5	5
P0630.029-019-ZP	2.9	19.0	1.1	1.5	5
P0630.029-022-ZP	2.9	22.0	1.1	1.5	5
P0630.029-025-ZP	2.9	25.0	1.1	1.5	5
P0630.029-032-ZP	2.9	32.0	1.1	1.5	5
P0630.029-038-ZP	2.9	38.0	1.1	1.5	5
P0630.035-009-ZP	3.5	9.5	1.3	2.3	5.5
P0630.035-013-ZP	3.5	13.0	1.3	2.3	5.5
P0630.035-016-ZP	3.5	16.0	1.3	2.3	5.5
P0630.035-019-ZP	3.5	19.0	1.3	2.3	5.5
P0630.035-022-ZP	3.5	22.0	1.3	2.3	5.5
P0630.035-025-ZP	3.5	25.0	1.3	2.3	5.5
P0630.035-032-ZP	3.5	32.0	1.3	2.3	5.5
P0630.035-038-ZP	3.5	38.0	1.3	2.3	5.5
P0630.035-045-ZP	3.5	45.0	1.3	2.3	5.5
P0630.035-050-ZP	3.5	50.0	1.3	2.3	5.5
P0630.039-009-ZP	3.9	9.5	1.3	2.3	7
P0630.039-013-ZP	3.9	13.0	1.3	2.3	7
P0630.039-016-ZP	3.9	16.0	1.3	2.3	7
P0630.039-019-ZP	3.9	19.0	1.3	2.3	7
P0630.039-022-ZP	3.9	22.0	1.3	2.3	7
P0630.039-025-ZP	3.9	25.0	1.3	2.3	7
P0630.039-032-ZP	3.9	32.0	1.3	2.3	7
P0630.039-038-ZP	3.9	38.0	1.3	2.3	7
P0630.039-045-ZP	3.9	45.0	1.3	2.3	7
P0630.039-050-ZP	3.9	50.0	1.3	2.3	7
P0630.039-055-ZP	3.9	55.0	1.3	2.3	7
P0630.039-060-ZP	3.9	60.0	1.3	2.3	7
P0630.042-009-ZP	4.2	9.5	1.4	2.8	7
P0630.042-013-ZP	4.2	13.0	1.4	2.8	7
P0630.042-016-ZP	4.2	16.0	1.4	2.8	7
P0630.042-019-ZP	4.2	19.0	1.4	2.8	7
P0630.042-022-ZP	4.2	22.0	1.4	2.8	7



SELF TAPPERS

Order No.	d ₁	l ₁	l ₂	h ₁	A/F
P0630.042-025-ZP	4.2	25.0	1.4	2.8	7
P0630.042-032-ZP	4.2	32.0	1.4	2.8	7
P0630.042-038-ZP	4.2	38.0	1.4	2.8	7
P0630.042-045-ZP	4.2	45.0	1.4	2.8	7
P0630.042-050-ZP	4.2	50.0	1.4	2.8	7
P0630.042-055-ZP	4.2	55.0	1.4	2.8	7
P0630.042-060-ZP	4.2	60.0	1.4	2.8	7
P0630.048-009-ZP	4.8	9.5	1.6	3.0	8
P0630.048-013-ZP	4.8	13.0	1.6	3.0	8
P0630.048-016-ZP	4.8	16.0	1.6	3.0	8
P0630.048-019-ZP	4.8	19.0	1.6	3.0	8
P0630.048-022-ZP	4.8	22.0	1.6	3.0	8
P0630.048-025-ZP	4.8	25.0	1.6	3.0	8
P0630.048-032-ZP	4.8	32.0	1.6	3.0	8
P0630.048-038-ZP	4.8	38.0	1.6	3.0	8
P0630.048-045-ZP	4.8	45.0	1.6	3.0	8
P0630.048-050-ZP	4.8	50.0	1.6	3.0	8
P0630.048-055-ZP	4.8	55.0	1.6	3.0	8
P0630.048-060-ZP	4.8	60.0	1.6	3.0	8
P0630.048-070-ZP	4.8	70.0	1.6	3.0	8
P0630.048-080-ZP	4.8	80.0	1.6	3.0	8
P0630.048-090-ZP	4.8	90.0	1.6	3.0	8
P0630.048-100-ZP	4.8	100.0	1.6	3.0	8
P0630.048-110-ZP	4.8	110.0	1.6	3.0	8
P0630.048-120-ZP	4.8	120.0	1.6	3.0	8
P0630.055-009-ZP	5.5	9.5	1.8	4.0	8
P0630.055-013-ZP	5.5	13.0	1.8	4.0	8
P0630.055-016-ZP	5.5	16.0	1.8	4.0	8
P0630.055-019-ZP	5.5	19.0	1.8	4.0	8
P0630.055-022-ZP	5.5	22.0	1.8	4.0	8
P0630.055-025-ZP	5.5	25.0	1.8	4.0	8
P0630.055-032-ZP	5.5	32.0	1.8	4.0	8
P0630.055-038-ZP	5.5	38.0	1.8	4.0	8
P0630.055-045-ZP	5.5	45.0	1.8	4.0	8
P0630.055-050-ZP	5.5	50.0	1.8	4.0	8
P0630.055-055-ZP	5.5	55.0	1.8	4.0	8
P0630.055-060-ZP	5.5	60.0	1.8	4.0	8
P0630.055-070-ZP	5.5	70.0	1.8	4.0	8
P0630.055-080-ZP	5.5	80.0	1.8	4.0	8
P0630.055-090-ZP	5.5	90.0	1.8	4.0	8
P0630.055-100-ZP	5.5	100.0	1.8	4.0	8
P0630.055-110-ZP	5.5	110.0	1.8	4.0	8
P0630.055-120-ZP	5.5	120.0	1.8	4.0	8
P0630.063-013-ZP	6.3	13.0	1.8	4.8	10
P0630.063-016-ZP	6.3	16.0	1.8	4.8	10
P0630.063-019-ZP	6.3	19.0	1.8	4.8	10
P0630.063-022-ZP	6.3	22.0	1.8	4.8	10
P0630.063-025-ZP	6.3	25.0	1.8	4.8	10
P0630.063-032-ZP	6.3	32.0	1.8	4.8	10
P0630.063-038-ZP	6.3	38.0	1.8	4.8	10
P0630.063-045-ZP	6.3	45.0	1.8	4.8	10
P0630.063-050-ZP	6.3	50.0	1.8	4.8	10
P0630.063-055-ZP	6.3	55.0	1.8	4.8	10
P0630.063-060-ZP	6.3	60.0	1.8	4.8	10
P0630.063-070-ZP	6.3	70.0	1.8	4.8	10
P0630.063-080-ZP	6.3	80.0	1.8	4.8	10
P0630.063-090-ZP	6.3	90.0	1.8	4.8	10
P0630.063-100-ZP	6.3	100.0	1.8	4.8	10
P0630.063-110-ZP	6.3	110.0	1.8	4.8	10
P0630.063-120-ZP	6.3	120.0	1.8	4.8	10
P0630.080-013-ZP	8.0	13.0	2.1	5.8	13
P0630.080-016-ZP	8.0	16.0	2.1	5.8	13
P0630.080-019-ZP	8.0	19.0	2.1	5.8	13
P0630.080-022-ZP	8.0	22.0	2.1	5.8	13
P0630.080-025-ZP	8.0	25.0	2.1	5.8	13
P0630.080-032-ZP	8.0	32.0	2.1	5.8	13
P0630.080-038-ZP	8.0	38.0	2.1	5.8	13
P0630.080-045-ZP	8.0	45.0	2.1	5.8	13
P0630.080-050-ZP	8.0	50.0	2.1	5.8	13



Hex Head AB Tappers

AB Tappers - steel, zinc-plated



Self Tappers

Order No.	d ₁	l ₁	l ₂	h ₁	A/F
P0630.080-055-ZP	8.0	55.0	2.1	5.8	13
P0630.080-060-ZP	8.0	60.0	2.1	5.8	13
P0630.080-070-ZP	8.0	70.0	2.1	5.8	13

SELF TAPPERS