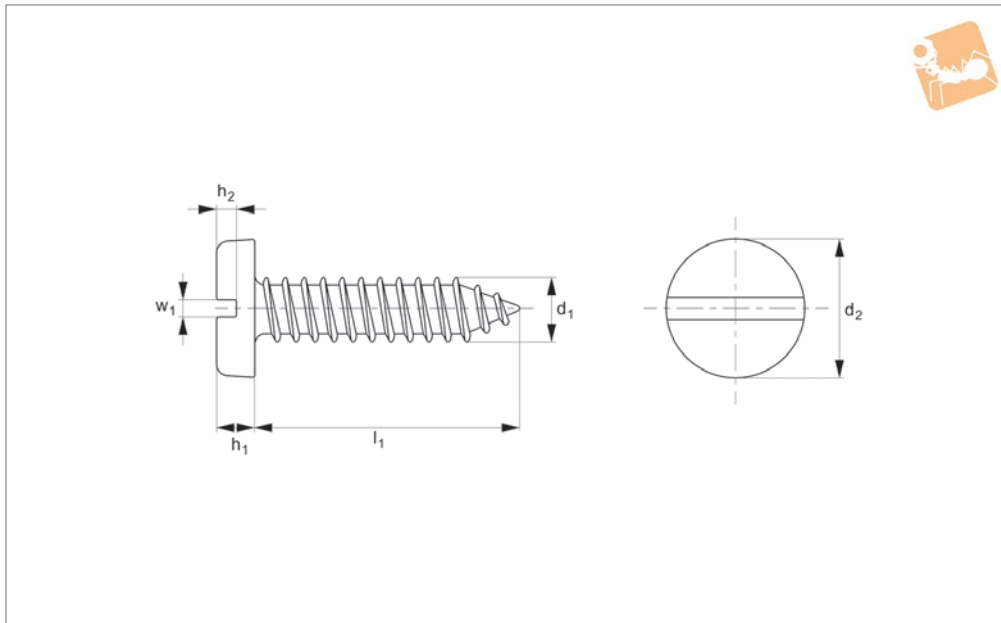




Pan Head Slot AB Tappers

Slot AB - steel, zinc-plated

Self Tappers



P0624.ZP

SELF TAPPERS

Material

Steel, zinc-plated.

Technical Notes

To DIN 7971C, ISO 1481 type C.

Order No.	d ₁	l ₁	d ₂	h ₁ max.	h ₂ max.	w ₁
P0624.022-004-ZP	2.2	4.5	4.2	1.35	0.8	0.6
P0624.022-006-ZP	2.2	6.5	4.2	1.35	0.8	0.6
P0624.022-009-ZP	2.2	9.5	4.2	1.35	0.8	0.6
P0624.022-013-ZP	2.2	13.0	4.2	1.35	0.8	0.6
P0624.022-016-ZP	2.2	16.0	4.2	1.35	0.8	0.6
P0624.022-019-ZP	2.2	19.0	4.2	1.35	0.8	0.6
P0624.022-022-ZP	2.2	22.0	4.2	1.35	0.8	0.6
P0624.022-025-ZP	2.2	25.0	4.2	1.35	0.8	0.6
P0624.029-006-ZP	2.9	6.5	5.6	1.75	1.0	0.8
P0624.029-009-ZP	2.9	9.5	5.6	1.75	1.0	0.8
P0624.029-013-ZP	2.9	13.0	5.6	1.75	1.0	0.8
P0624.029-016-ZP	2.9	16.0	5.6	1.75	1.0	0.8
P0624.029-019-ZP	2.9	19.0	5.6	1.75	1.0	0.8
P0624.029-022-ZP	2.9	22.0	5.6	1.75	1.0	0.8
P0624.029-025-ZP	2.9	25.0	5.6	1.75	1.0	0.8
P0624.029-032-ZP	2.9	32.0	5.6	1.75	1.0	0.8
P0624.035-006-ZP	3.5	6.5	6.9	2.1	1.25	1.0
P0624.035-009-ZP	3.5	9.5	6.9	2.1	1.25	1.0
P0624.035-013-ZP	3.5	13.0	6.9	2.1	1.25	1.0
P0624.035-016-ZP	3.5	16.0	6.9	2.1	1.25	1.0
P0624.035-019-ZP	3.5	19.0	6.9	2.1	1.25	1.0
P0624.035-022-ZP	3.5	22.0	6.9	2.1	1.25	1.0
P0624.035-025-ZP	3.5	25.0	6.9	2.1	1.25	1.0
P0624.035-032-ZP	3.5	32.0	6.9	2.1	1.25	1.0
P0624.035-038-ZP	3.5	38.0	6.9	2.1	1.25	1.0
P0624.042-006-ZP	4.2	6.5	8.2	2.45	1.5	1.2
P0624.042-009-ZP	4.2	9.5	8.2	2.45	1.5	1.2
P0624.042-013-ZP	4.2	13.0	8.2	2.45	1.5	1.2
P0624.042-016-ZP	4.2	16.0	8.2	2.45	1.5	1.2
P0624.042-019-ZP	4.2	19.0	8.2	2.45	1.5	1.2
P0624.042-022-ZP	4.2	22.0	8.2	2.45	1.5	1.2
P0624.042-025-ZP	4.2	25.0	8.2	2.45	1.5	1.2
P0624.042-032-ZP	4.2	32.0	8.2	2.45	1.5	1.2
P0624.042-038-ZP	4.2	38.0	8.2	2.45	1.5	1.2



Order No.	d ₁	l ₁	d ₂	h ₁ max.	h ₂ max.	w ₁
P0624.042-045-ZP	4.2	45.0	8.2	2.45	1.5	1.2
P0624.042-500-ZP	4.2	50.0	8.2	2.45	1.5	1.2
P0624.048-009-ZP	4.8	9.5	9.5	2.80	1.7	1.2
P0624.048-013-ZP	4.8	13.0	9.5	2.80	1.7	1.2
P0624.048-016-ZP	4.8	16.0	9.5	2.80	1.7	1.2
P0624.048-019-ZP	4.8	19.0	9.5	2.80	1.7	1.2
P0624.048-022-ZP	4.8	22.0	9.5	2.80	1.7	1.2
P0624.048-025-ZP	4.8	25.0	9.5	2.80	1.7	1.2
P0624.048-032-ZP	4.8	32.0	9.5	2.80	1.7	1.2
P0624.048-038-ZP	4.8	38.0	9.5	2.80	1.7	1.2
P0624.048-045-ZP	4.8	45.0	9.5	2.80	1.7	1.2
P0624.048-050-ZP	4.8	50.0	9.5	2.80	1.7	1.2
P0624.048-060-ZP	4.8	60.0	9.5	2.80	1.7	1.2
P0624.048-070-ZP	4.8	70.0	9.5	2.80	1.7	1.2
P0624.048-080-ZP	4.8	80.0	9.5	2.80	1.7	1.2
P0624.055-013-ZP	5.5	13.0	10.8	3.20	1.95	1.6
P0624.055-016-ZP	5.5	16.0	10.8	3.20	1.95	1.6
P0624.055-019-ZP	5.5	19.0	10.8	3.20	1.95	1.6
P0624.055-022-ZP	5.5	22.0	10.8	3.20	1.95	1.6
P0624.055-025-ZP	5.5	25.0	10.8	3.20	1.95	1.6
P0624.055-032-ZP	5.5	32.0	10.8	3.20	1.95	1.6
P0624.055-038-ZP	5.5	38.0	10.8	3.20	1.95	1.6
P0624.055-045-ZP	5.5	45.0	10.8	3.20	1.95	1.6
P0624.055-050-ZP	5.5	50.0	10.8	3.20	1.95	1.6
P0624.055-060-ZP	5.5	60.0	10.8	3.20	1.95	1.6
P0624.055-070-ZP	5.5	70.0	10.8	3.20	1.95	1.6
P0624.055-080-ZP	5.5	80.0	10.8	3.20	1.95	1.6
P0624.063-013-ZP	6.3	13.0	12.5	3.65	2.20	1.6
P0624.063-016-ZP	6.3	16.0	12.5	3.65	2.20	1.6
P0624.063-019-ZP	6.3	19.0	12.5	3.65	2.20	1.6
P0624.063-022-ZP	6.3	22.0	12.5	3.65	2.20	1.6
P0624.063-025-ZP	6.3	25.0	12.5	3.65	2.20	1.6
P0624.063-032-ZP	6.3	32.0	12.5	3.65	2.20	1.6
P0624.063-038-ZP	6.3	38.0	12.5	3.65	2.20	1.6
P0624.063-045-ZP	6.3	45.0	12.5	3.65	2.20	1.6
P0624.063-050-ZP	6.3	50.0	12.5	3.65	2.20	1.6
P0624.063-060-ZP	6.3	60.0	12.5	3.65	2.20	1.6
P0624.063-070-ZP	6.3	70.0	12.5	3.65	2.20	1.6
P0624.063-080-ZP	6.3	80.0	12.5	3.65	2.20	1.6
P0624.039-006-ZP	3.9	6.5	7.5	2.25	1.4	1.0
P0624.039-009-ZP	3.9	9.5	7.5	2.25	1.4	1.0
P0624.039-013-ZP	3.9	13.0	7.5	2.25	1.4	1.0
P0624.039-016-ZP	3.9	16.0	7.5	2.25	1.4	1.0
P0624.039-019-ZP	3.9	19.0	7.5	2.25	1.4	1.0
P0624.039-022-ZP	3.9	22.0	7.5	2.25	1.4	1.0
P0624.039-025-ZP	3.9	25.0	7.5	2.25	1.4	1.0
P0624.039-032-ZP	3.9	32.0	7.5	2.25	1.4	1.0
P0624.039-038-ZP	3.9	38.0	7.5	2.25	1.4	1.0
P0624.039-045-ZP	3.9	45.0	7.5	2.25	1.4	1.0
P0624.039-050-ZP	3.9	50.0	7.5	2.25	1.4	1.0