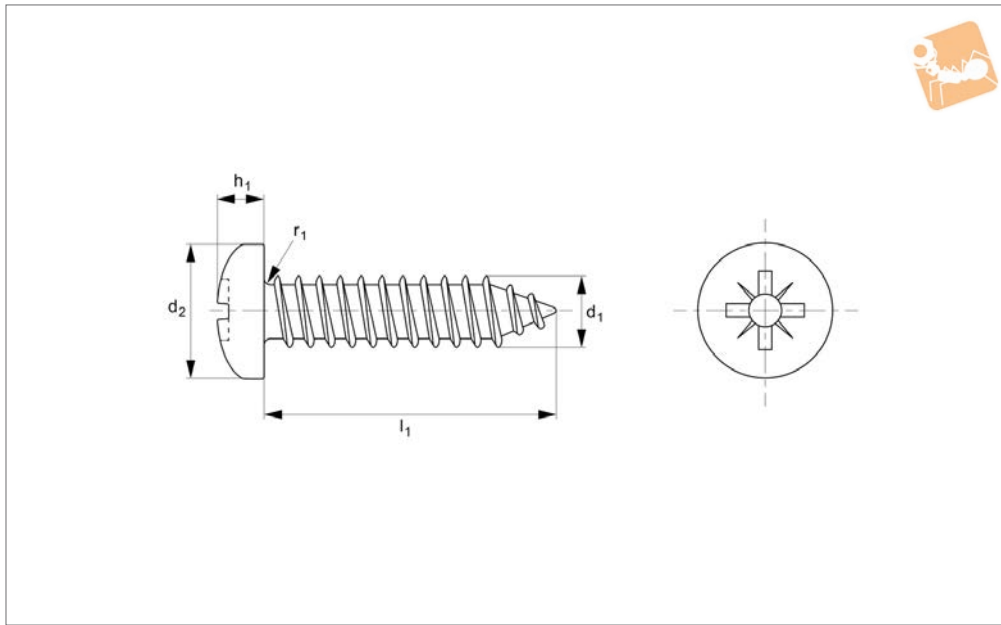




# Stainless Pan Head Pozi AB Tappers

Pozi AB - A4 stainless

Self Tappers



**P0620.A4**

SELF TAPPERS

### Material

Stainless steel (A4, AISI 316).

### Technical Notes

To DIN 7981C-Z, ISO 7049 type C.

Order No.	d <sub>1</sub>	l <sub>1</sub>	d <sub>2</sub>	h <sub>1</sub> max.	Size
P0620.022-006-A4	2.2	6.5	4.2	1.8	PZ-1
P0620.022-009-A4	2.2	9.5	4.2	1.8	PZ-1
P0620.022-013-A4	2.2	13.0	4.2	1.8	PZ-1
P0620.022-016-A4	2.2	16.0	4.2	1.8	PZ-1
P0620.022-019-A4	2.2	19.0	4.2	1.8	PZ-1
P0620.022-022-A4	2.2	22.0	4.2	1.8	PZ-1
P0620.022-025-A4	2.2	25.0	4.2	1.8	PZ-1
P0620.022-032-A4	2.2	32.0	4.2	1.8	PZ-1
P0620.029-006-A4	2.9	6.5	5.6	2.2	PZ-1
P0620.029-009-A4	2.9	9.5	5.6	2.2	PZ-1
P0620.029-013-A4	2.9	13.0	5.6	2.2	PZ-1
P0620.029-016-A4	2.9	16.0	5.6	2.2	PZ-1
P0620.029-019-A4	2.9	19.0	5.6	2.2	PZ-1
P0620.029-022-A4	2.9	22.0	5.6	2.2	PZ-1
P0620.029-025-A4	2.9	25.0	5.6	2.2	PZ-1
P0620.029-032-A4	2.9	32.0	5.6	2.2	PZ-1
P0620.029-038-A4	2.9	38.0	5.6	2.2	PZ-1
P0620.035-006-A4	3.5	6.5	6.9	2.6	PZ-2
P0620.035-009-A4	3.5	9.5	6.9	2.6	PZ-2
P0620.035-013-A4	3.5	13.0	6.9	2.6	PZ-2
P0620.035-016-A4	3.5	16.0	6.9	2.6	PZ-2
P0620.035-019-A4	3.5	19.0	6.9	2.6	PZ-2
P0620.035-022-A4	3.5	22.0	6.9	2.6	PZ-2
P0620.035-025-A4	3.5	25.0	6.9	2.6	PZ-2
P0620.035-032-A4	3.5	32.0	6.9	2.6	PZ-2
P0620.035-038-A4	3.5	38.0	6.9	2.6	PZ-2
P0620.035-045-A4	3.5	45.0	6.9	2.6	PZ-2
P0620.035-050-A4	3.5	50.0	6.9	2.6	PZ-2
P0620.035-060-A4	3.5	60.0	6.9	2.6	PZ-2
P0620.039-006-A4	3.9	6.5	7.5	2.8	PZ-2
P0620.039-009-A4	3.9	9.5	7.5	2.8	PZ-2
P0620.039-013-A4	3.9	13.0	7.5	2.8	PZ-2
P0620.039-016-A4	3.9	16.0	7.5	2.8	PZ-2
P0620.039-019-A4	3.9	19.0	7.5	2.8	PZ-2



SELF TAPPERS

Order No.	d <sub>1</sub>	l <sub>1</sub>	d <sub>2</sub>	h <sub>1</sub> max.	Size
P0620.039-022-A4	3.9	22.0	7.5	2.8	PZ-2
P0620.039-025-A4	3.9	25.0	7.5	2.8	PZ-2
P0620.039-032-A4	3.9	32.0	7.5	2.8	PZ-2
P0620.039-038-A4	3.9	38.0	7.5	2.8	PZ-2
P0620.039-045-A4	3.9	45.0	7.5	2.8	PZ-2
P0620.039-050-A4	3.9	50.0	7.5	2.8	PZ-2
P0620.039-060-A4	3.9	60.0	7.5	2.8	PZ-2
P0620.039-070-A4	3.9	70.0	7.5	2.8	PZ-2
P0620.039-080-A4	3.9	80.0	7.5	2.8	PZ-2
P0620.042-006-A4	4.2	6.5	8.2	3.05	PZ-2
P0620.042-009-A4	4.2	9.5	8.2	3.05	PZ-2
P0620.042-013-A4	4.2	13.0	8.2	3.05	PZ-2
P0620.042-016-A4	4.2	16.0	8.2	3.05	PZ-2
P0620.042-019-A4	4.2	19.0	8.2	3.05	PZ-2
P0620.042-022-A4	4.2	22.0	8.2	3.05	PZ-2
P0620.042-025-A4	4.2	25.0	8.2	3.05	PZ-2
P0620.042-032-A4	4.2	32.0	8.2	3.05	PZ-2
P0620.042-038-A4	4.2	38.0	8.2	3.05	PZ-2
P0620.042-045-A4	4.2	45.0	8.2	3.05	PZ-2
P0620.042-050-A4	4.2	50.0	8.2	3.05	PZ-2
P0620.042-060-A4	4.2	60.0	8.2	3.05	PZ-2
P0620.042-070-A4	4.2	70.0	8.2	3.05	PZ-2
P0620.042-080-A4	4.2	80.0	8.2	3.05	PZ-2
P0620.048-006-A4	4.8	6.5	9.5	3.55	PZ-2
P0620.048-009-A4	4.8	9.5	9.5	3.55	PZ-2
P0620.048-013-A4	4.8	13.0	9.5	3.55	PZ-2
P0620.048-016-A4	4.8	16.0	9.5	3.55	PZ-2
P0620.048-019-A4	4.8	19.0	9.5	3.55	PZ-2
P0620.048-022-A4	4.8	22.0	9.5	3.55	PZ-2
P0620.048-025-A4	4.8	25.0	9.5	3.55	PZ-2
P0620.048-032-A4	4.8	32.0	9.5	3.55	PZ-2
P0620.048-038-A4	4.8	38.0	9.5	3.55	PZ-2
P0620.048-045-A4	4.8	45.0	9.5	3.55	PZ-2
P0620.048-050-A4	4.8	50.0	9.5	3.55	PZ-2
P0620.048-060-A4	4.8	60.0	9.5	3.55	PZ-2
P0620.048-070-A4	4.8	70.0	9.5	3.55	PZ-2
P0620.048-080-A4	4.8	80.0	9.5	3.55	PZ-2
P0620.048-090-A4	4.8	90.0	9.5	3.55	PZ-2
P0620.048-100-A4	4.8	100.0	9.5	3.55	PZ-2
P0620.055-006-A4	5.5	6.5	10.8	3.95	PZ-3
P0620.055-009-A4	5.5	9.5	10.8	3.95	PZ-3
P0620.055-013-A4	5.5	13.0	10.8	3.95	PZ-3
P0620.055-016-A4	5.5	16.0	10.8	3.95	PZ-3
P0620.055-019-A4	5.5	19.0	10.8	3.95	PZ-3
P0620.055-022-A4	5.5	22.0	10.8	3.95	PZ-3
P0620.055-025-A4	5.5	25.0	10.8	3.95	PZ-3
P0620.055-032-A4	5.5	32.0	10.8	3.95	PZ-3
P0620.055-038-A4	5.5	38.0	10.8	3.95	PZ-3
P0620.055-045-A4	5.5	45.0	10.8	3.95	PZ-3
P0620.055-050-A4	5.5	50.0	10.8	3.95	PZ-3
P0620.055-060-A4	5.5	60.0	10.8	3.95	PZ-3
P0620.055-070-A4	5.5	70.0	10.8	3.95	PZ-3
P0620.055-080-A4	5.5	80.0	10.8	3.95	PZ-3
P0620.055-090-A4	5.5	90.0	10.8	3.95	PZ-3
P0620.055-100-A4	5.5	100.0	10.8	3.95	PZ-3
P0620.063-013-A4	6.3	13.0	12.5	4.55	PZ-3
P0620.063-016-A4	6.3	16.0	12.5	4.55	PZ-3
P0620.063-019-A4	6.3	19.0	12.5	4.55	PZ-3
P0620.063-022-A4	6.3	22.0	12.5	4.55	PZ-3
P0620.063-025-A4	6.3	25.0	12.5	4.55	PZ-3
P0620.063-032-A4	6.3	32.0	12.5	4.55	PZ-3
P0620.063-038-A4	6.3	38.0	12.5	4.55	PZ-3
P0620.063-045-A4	6.3	45.0	12.5	4.55	PZ-3
P0620.063-050-A4	6.3	50.0	12.5	4.55	PZ-3
P0620.063-060-A4	6.3	60.0	12.5	4.55	PZ-3
P0620.063-070-A4	6.3	70.0	12.5	4.55	PZ-3
P0620.063-080-A4	6.3	80.0	12.5	4.55	PZ-3
P0620.063-090-A4	6.3	90.0	12.5	4.55	PZ-3



# Stainless Pan Head Pozi AB Tappers

Pozi AB - A4 stainless



Self Tappers

Order No.	$d_1$	$l_1$	$d_2$	$h_1$ max.	Size
P0620.063-100-A4	6.3	100.0	12.5	4.55	PZ-3

SELF TAPPERS