

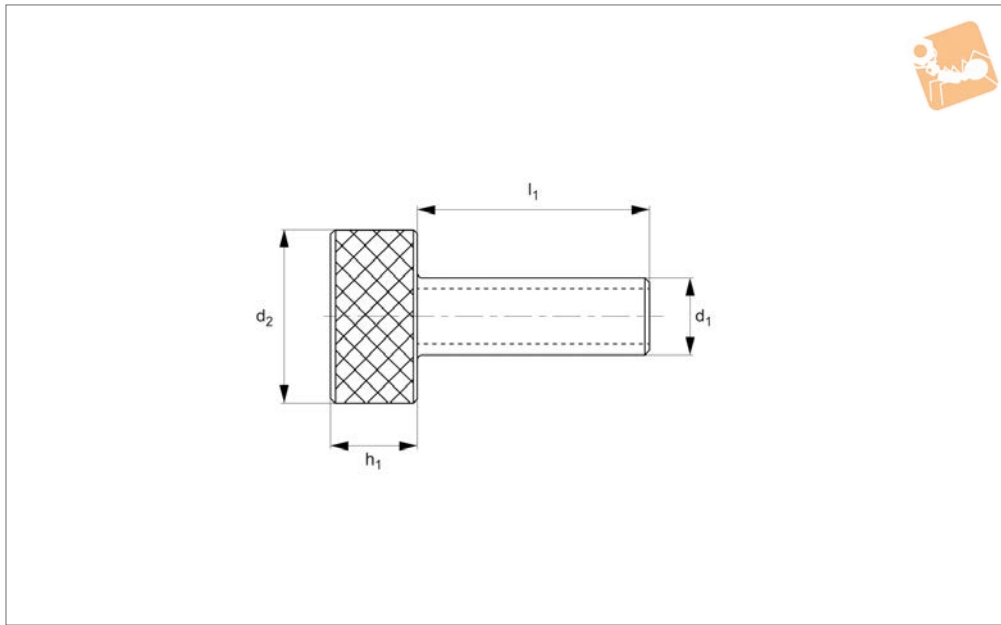


Narrow Head Thumb Screws

316 series stainless



Thumb Screws



P0437.A4

THUMB SCREWS

Material

Stainless steel (AISI 316 series 1.4401).

Technical Notes

316 series stainless steel is the most corro-

sion resistant alloy of stainless steel. It resists corrosion from seawater and strong chemicals. Suitable for outdoor use and in marine, medical and chemical applica-

tions.

Order No.	d ₁	l ₁	d ₂	h ₁
P0437.030-008-A4	M 3	8	8	5
P0437.030-010-A4	M 3	10	8	5
P0437.030-012-A4	M 3	12	8	5
P0437.030-014-A4	M 3	14	8	5
P0437.040-008-A4	M 4	8	10	5
P0437.040-010-A4	M 4	10	10	5
P0437.040-012-A4	M 4	12	10	5
P0437.040-014-A4	M 4	14	10	5
P0437.040-016-A4	M 4	16	10	5
P0437.050-008-A4	M 5	8	12	5
P0437.050-010-A4	M 5	10	12	5
P0437.050-012-A4	M 5	12	12	5
P0437.050-014-A4	M 5	14	12	5
P0437.050-016-A4	M 5	16	12	5
P0437.060-012-A4	M 6	12	13	6
P0437.060-014-A4	M 6	14	13	6
P0437.060-016-A4	M 6	16	13	6
P0437.060-018-A4	M 6	18	13	6
P0437.060-020-A4	M 6	20	13	6