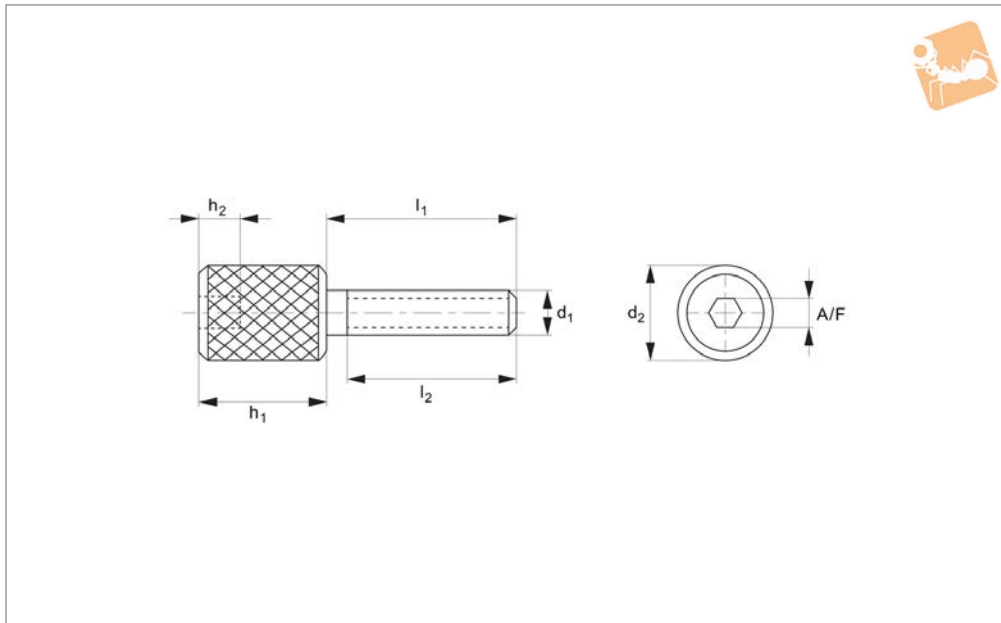




Thin Head Thumb Screws

316 stainless, blackened

Thumb Screws



P0435.B4

THUMB SCREWS

Material

Stainless steel (AISI 316 series, 1.4401), with black oxide coating.

Technical Notes

316 series stainless steel is the most corro-

sion resistant alloy of stainless steel. It resists corrosion from seawater and strong chemicals. Suitable for outdoor use and in marine, medical and chemical applications.

Order No.	d ₁	l ₁	d ₂	l ₂	h ₁	h ₂ min.	A/F
P0435.03-06-12-B4	M3	12	6	11	12	2	2
P0435.03-06-20-B4	M3	20	6	16	12	2	2
P0435.03-08-12-B4	M3	12	8	11	12	2	2
P0435.03-08-20-B4	M3	20	8	16	12	2	2
P0435.03-10-10-B4	M3	10	10	8	12	3	3
P0435.03-10-12-B4	M3	12	10	11	12	3	3
P0435.04-06-12-B4	M4	12	6	11	12	2	2
P0435.04-06-20-B4	M4	20	6	16	12	2	2
P0435.04-06-25-B4	M4	25	6	20	12	2	2
P0435.04-08-12-B4	M4	12	8	11	12	2	2
P0435.04-08-20-B4	M4	20	8	16	12	2	2
P0435.04-08-25-B4	M4	25	8	20	12	2	2
P0435.04-10-10-B4	M4	10	10	8	12	3	3
P0435.04-10-14-B4	M4	14	10	12	12	3	3
P0435.04-10-20-B4	M4	20	10	16	12	3	3
P0435.05-08-12-B4	M5	12	8	11	12	2	2
P0435.05-08-20-B4	M5	20	8	16	12	2	2
P0435.05-08-25-B4	M5	25	8	20	12	2	2
P0435.05-08-32-B4	M5	32	8	25	12	2	2
P0435.05-10-12-B4	M5	12	10	11	12	3	3
P0435.05-10-20-B4	M5	20	10	16	12	3	3
P0435.05-10-25-B4	M5	25	10	20	12	3	3
P0435.05-10-32-B4	M5	32	10	25	12	3	3
P0435.06-10-12-B4	M6	12	10	11	12	3	3
P0435.06-10-20-B4	M6	20	10	16	12	3	3
P0435.06-10-25-B4	M6	25	10	20	12	3	3
P0435.06-10-30-B4	M6	30	10	25	12	3	3
P0435.06-10-35-B4	M6	35	10	30	12	3	3
P0435.08-12-12-B4	M8	12	12	11	15	3	3
P0435.08-12-20-B4	M8	20	12	16	15	3	3
P0435.08-12-25-B4	M8	25	12	20	15	3	3
P0435.08-12-30-B4	M8	30	12	25	15	3	3



Order No.	d ₁	l ₁	d ₂	l ₂	h ₁	h ₂ min.	A/F
P0435.08-12-35-B4	M8	35	12	30	15	3	3
P0435.08-15-12-B4	M8	12	15	11	15	3	3
P0435.08-15-20-B4	M8	20	15	16	15	3	3
P0435.08-15-25-B4	M8	25	15	20	15	3	3
P0435.08-15-30-B4	M8	30	15	25	15	3	3
P0435.08-15-35-B4	M8	35	15	30	15	3	3
P0435.10-15-12-B4	M10	12	15	11	20	3	3
P0435.10-15-20-B4	M10	20	15	16	20	3	3
P0435.10-15-25-B4	M10	25	15	20	20	3	3
P0435.10-15-30-B4	M10	30	15	25	20	3	3
P0435.10-15-35-B4	M10	35	15	30	20	3	3
P0435.10-20-12-B4	M10	12	20	11	20	3	3
P0435.10-20-20-B4	M10	20	20	16	20	3	3
P0435.10-20-25-B4	M10	25	20	20	20	3	3
P0435.10-20-30-B4	M10	30	20	25	20	3	3
P0435.10-20-35-B4	M10	35	20	30	20	3	3