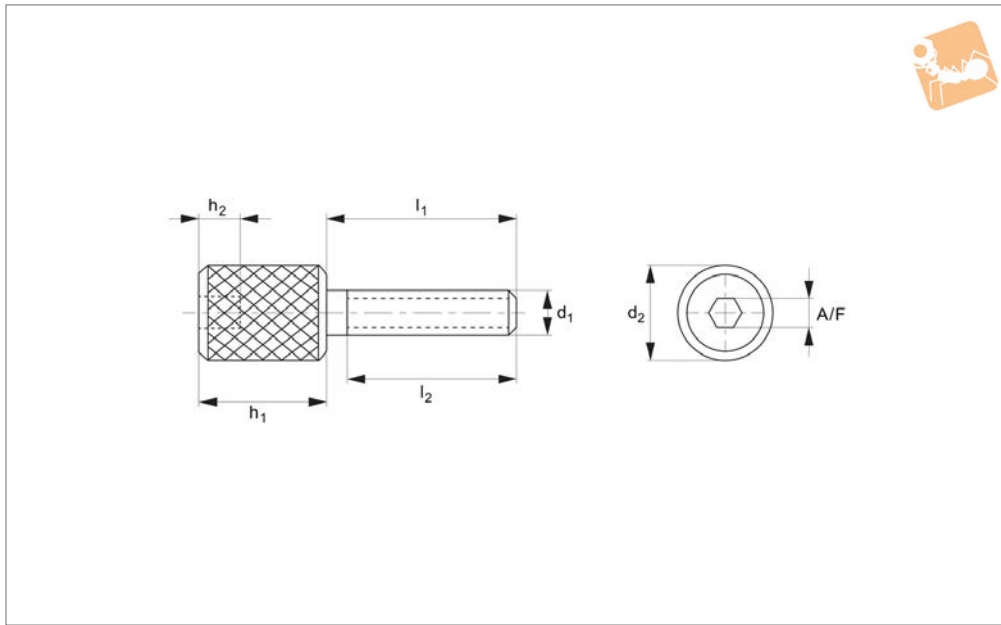




# Thin Head Thumb Screws

303 stainless, blackened

## Thumb Screws



**P0435.B2**

THUMB SCREWS

### Material

Stainless steel (AISI 303 series, 1.4305), black oxide coating.

steel which may (in harsh conditions) exhibit slight signs of rusting. Typically used in food and pharmaceutical applications.

### Technical Notes

303 series stainless steel is a hard stainless

Order No.	d <sub>1</sub>	l <sub>1</sub>	d <sub>2</sub>	l <sub>2</sub>	h <sub>1</sub>	h <sub>2</sub> min.	A/F
P0435.03-06-12-B2	M3	12	6	11	12	2	2
P0435.03-06-20-B2	M3	20	6	16	12	2	2
P0435.03-08-12-B2	M3	12	8	11	12	2	2
P0435.03-08-20-B2	M3	20	8	16	12	2	2
P0435.03-10-10-B2	M3	10	10	8	12	3	3
P0435.03-10-12-B2	M3	12	10	11	12	3	3
P0435.04-06-12-B2	M4	12	6	11	12	2	2
P0435.04-06-20-B2	M4	20	6	16	12	2	2
P0435.04-06-25-B2	M4	25	6	20	12	2	2
P0435.04-08-12-B2	M4	12	8	11	12	2	2
P0435.04-08-20-B2	M4	20	8	16	12	2	2
P0435.04-08-25-B2	M4	25	8	20	12	2	2
P0435.04-10-10-B2	M4	10	10	8	12	3	3
P0435.04-10-14-B2	M4	14	10	12	12	3	3
P0435.04-10-20-B2	M4	20	10	16	12	3	3
P0435.05-08-12-B2	M5	12	8	11	12	2	2
P0435.05-08-20-B2	M5	20	8	16	12	2	2
P0435.05-08-25-B2	M5	25	8	20	12	2	2
P0435.05-08-32-B2	M5	32	8	25	12	2	2
P0435.05-10-12-B2	M5	12	10	11	12	3	3
P0435.05-10-20-B2	M5	20	10	16	12	3	3
P0435.05-10-25-B2	M5	25	10	20	12	3	3
P0435.05-10-32-B2	M5	32	10	25	12	3	3
P0435.06-10-12-B2	M6	12	10	11	12	3	3
P0435.06-10-20-B2	M6	20	10	16	12	3	3
P0435.06-10-25-B2	M6	25	10	20	12	3	3
P0435.06-10-30-B2	M6	30	10	25	12	3	3
P0435.06-10-35-B2	M6	35	10	30	12	3	3
P0435.08-12-12-B2	M8	12	12	11	15	3	3
P0435.08-12-20-B2	M8	20	12	16	15	3	3
P0435.08-12-25-B2	M8	25	12	20	15	3	3
P0435.08-12-30-B2	M8	30	12	25	15	3	3



Order No.	d <sub>1</sub>	l <sub>1</sub>	d <sub>2</sub>	l <sub>2</sub>	h <sub>1</sub>	h <sub>2</sub> min.	A/F
P0435.08-12-35-B2	M8	35	12	30	15	3	3
P0435.08-15-12-B2	M8	12	15	11	15	3	3
P0435.08-15-20-B2	M8	20	15	16	15	3	3
P0435.08-15-25-B2	M8	25	15	20	15	3	3
P0435.08-15-30-B2	M8	30	15	25	15	3	3
P0435.08-15-35-B2	M8	35	15	30	15	3	3
P0435.10-15-12-B2	M10	12	15	11	20	3	3
P0435.10-15-20-B2	M10	20	15	16	20	3	3
P0435.10-15-25-B2	M10	25	15	20	20	3	3
P0435.10-15-30-B2	M10	30	15	25	20	3	3
P0435.10-15-35-B2	M10	35	15	30	20	3	3
P0435.10-20-12-B2	M10	12	20	11	20	3	3
P0435.10-20-20-B2	M10	20	20	16	20	3	3
P0435.10-20-25-B2	M10	25	20	20	20	3	3
P0435.10-20-30-B2	M10	30	20	25	20	3	3
P0435.10-20-35-B2	M10	35	20	30	20	3	3