

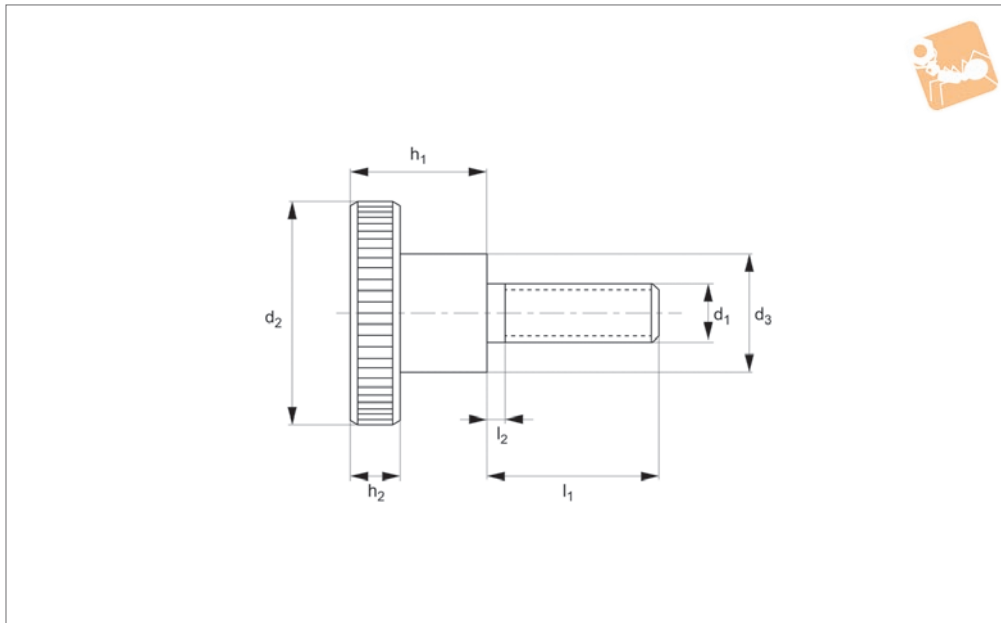


# Steel Knurled Thumb Screws

Steel (class 5.8) - zinc-plated



Thumb Screws



P0400.ZP

THUMB SCREWS

### Material

Steel (class 5.8), bright zinc-plated.

### Technical Notes

To DIN 464, all knurled screws are one-

piece manufactured, contrary to the official standard sheet, they all have a thread up to the head, as shown, but no recess at the thread end.

Order No.	d <sub>1</sub>	l <sub>1</sub>	d <sub>2</sub>	d <sub>3</sub>	h <sub>1</sub>	h <sub>2</sub>	l <sub>2</sub>
P0400.030-006-ZP	M 3	6	12	6	7.5	2.5	2
P0400.030-010-ZP	M 3	10	12	6	7.5	2.5	2
P0400.030-012-ZP	M 3	12	12	6	7.5	2.5	2
P0400.030-016-ZP	M 3	16	12	6	7.5	2.5	2
P0400.030-020-ZP	M 3	20	12	6	7.5	2.5	2
P0400.040-006-ZP	M 4	6	16	8	9.5	3.5	2
P0400.040-008-ZP	M 4	8	16	8	9.5	3.5	2
P0400.040-010-ZP	M 4	10	16	8	9.5	3.5	2
P0400.040-012-ZP	M 4	12	16	8	9.5	3.5	2
P0400.040-016-ZP	M 4	16	16	8	9.5	3.5	2
P0400.040-020-ZP	M 4	20	16	8	9.5	3.5	2
P0400.040-025-ZP	M 4	25	16	8	9.5	3.5	2
P0400.050-006-ZP	M 5	6	20	10	11.5	4.0	2
P0400.050-008-ZP	M 5	8	20	10	11.5	4.0	2
P0400.050-010-ZP	M 5	10	20	10	11.5	4.0	2
P0400.050-012-ZP	M 5	12	20	10	11.5	4.0	2
P0400.050-016-ZP	M 5	16	20	10	11.5	4.0	2
P0400.050-020-ZP	M 5	20	20	10	11.5	4.0	2
P0400.050-025-ZP	M 5	25	20	10	11.5	4.0	2
P0400.050-030-ZP	M 5	30	20	10	11.5	4.0	2
P0400.060-008-ZP	M 6	8	24	12	15.0	5.0	2
P0400.060-010-ZP	M 6	10	24	12	15.0	5.0	2
P0400.060-012-ZP	M 6	12	24	12	15.0	5.0	2
P0400.060-016-ZP	M 6	16	24	12	15.0	5.0	2
P0400.060-020-ZP	M 6	20	24	12	15.0	5.0	2
P0400.060-025-ZP	M 6	25	24	12	15.0	5.0	2
P0400.060-030-ZP	M 6	30	24	12	15.0	5.0	2
P0400.060-035-ZP	M 6	35	24	12	15.0	5.0	2
P0400.060-040-ZP	M 6	40	24	12	15.0	5.0	2
P0400.080-012-ZP	M 8	12	30	16	18.0	6.0	2
P0400.080-016-ZP	M 8	16	30	16	18.0	6.0	2
P0400.080-020-ZP	M 8	20	30	16	18.0	6.0	2
P0400.080-025-ZP	M 8	25	30	16	18.0	6.0	2
P0400.080-030-ZP	M 8	30	30	16	18.0	6.0	2



Order No.	d <sub>1</sub>	l <sub>1</sub>	d <sub>2</sub>	d <sub>3</sub>	h <sub>1</sub>	h <sub>2</sub>	l <sub>2</sub>
P0400.080-035-ZP	M 8	35	30	16	18.0	6.0	2
P0400.080-040-ZP	M 8	40	30	16	18.0	6.0	2
P0400.100-020-ZP	M10	20	36	20	23.0	8.0	2
P0400.100-025-ZP	M10	25	36	20	23.0	8.0	2
P0400.100-030-ZP	M10	30	36	20	23.0	8.0	2
P0400.100-035-ZP	M10	35	36	20	23.0	8.0	2
P0400.100-040-ZP	M10	40	36	20	23.0	8.0	2