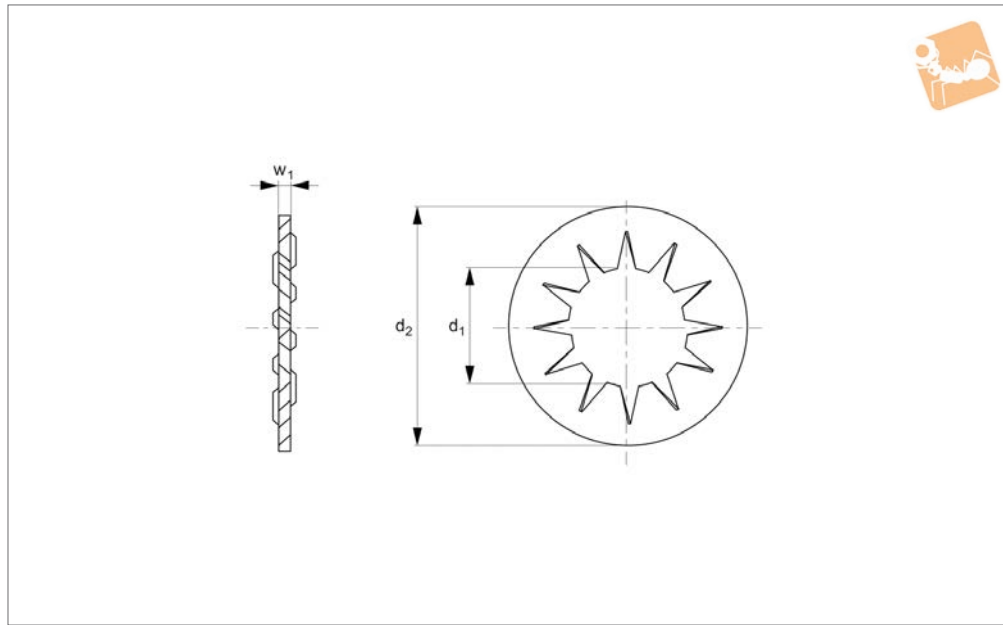




Internal Serrated Lock Washers

A2 stainless



P0373.A2

FLAT WASHERS

Material

Stainless steel (A2, AISI 303).

Technical Notes

To DIN 6798 B.

Order No.	d ₁ for thread	d ₂	w ₁	Material
P0373.020-A2	M 2	4.5	0.3	A2 s/s
P0373.025-A2	M2,5	5.5	0.4	A2 s/s
P0373.030-A2	M 3	6.0	0.4	A2 s/s
P0373.035-A2	M3,5	7.0	0.5	A2 s/s
P0373.040-A2	M 4	8.0	0.5	A2 s/s
P0373.050-A2	M 5	10.0	0.6	A2 s/s
P0373.060-A2	M 6	11.0	0.7	A2 s/s
P0373.070-A2	M 7	12.5	0.8	A2 s/s
P0373.080-A2	M 8	15.0	0.8	A2 s/s
P0373.100-A2	M10	18.0	0.9	A2 s/s
P0373.120-A2	M12	20.5	1.0	A2 s/s
P0373.140-A2	M14	24.0	1.0	A2 s/s
P0373.160-A2	M16	26.0	1.2	A2 s/s
P0373.180-A2	M18	30.0	1.4	A2 s/s
P0373.200-A2	M20	33.0	1.4	A2 s/s
P0373.220-A2	M22	36.0	1.5	A2 s/s
P0373.240-A2	M24	38.0	1.5	A2 s/s
P0373.270-A2	M27	44.0	1.6	A2 s/s
P0373.300-A2	M30	48.0	1.6	A2 s/s