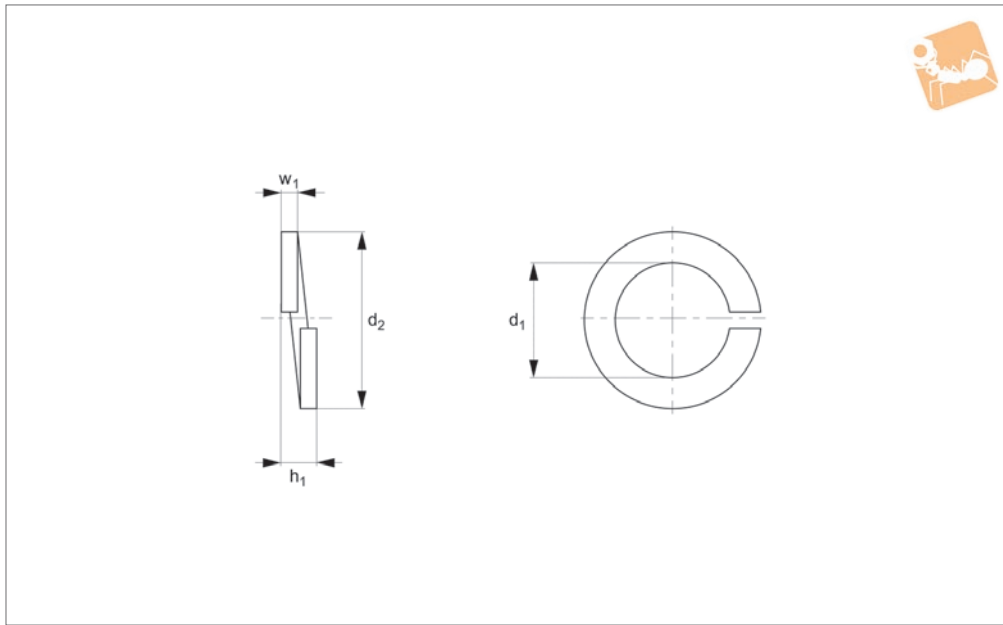




Spring Washers Square Section

Steel, zinc-plated



P0371.ZP

FLAT WASHERS

Material

Spring steel, zinc-plated.

Technical Notes

To DIN 7980. For screws with cylindrical heads.

Order No.	Thread	d ₁	d ₂	h ₁ min.	w ₁	Material
P0371.030-ZP	M 3	3.1	5.6	2.0	1.0	Steel ZP
P0371.035-ZP	M3,5	3.6	6.1	2.0	1.0	Steel ZP
P0371.040-ZP	M 4	4.1	7.0	2.4	1.2	Steel ZP
P0371.050-ZP	M 5	5.1	8.8	3.2	1.6	Steel ZP
P0371.060-ZP	M 6	6.1	9.9	3.2	1.6	Steel ZP
P0371.080-ZP	M 8	8.1	12.7	4.0	2.0	Steel ZP
P0371.100-ZP	M10	10.2	16.0	5.0	2.5	Steel ZP
P0371.120-ZP	M12	12.2	18.0	5.0	2.5	Steel ZP
P0371.140-ZP	M14	14.2	21.1	6.0	3.0	Steel ZP
P0371.160-ZP	M16	24.4	24.4	7.0	3.5	Steel ZP
P0371.180-ZP	M18	18.2	26.4	7.0	3.5	Steel ZP
P0371.200-ZP	M20	20.2	30.6	9.0	4.5	Steel ZP
P0371.220-ZP	M22	22.5	32.9	9.0	4.5	Steel ZP
P0371.240-ZP	M24	24.4	35.9	10.0	5.0	Steel ZP