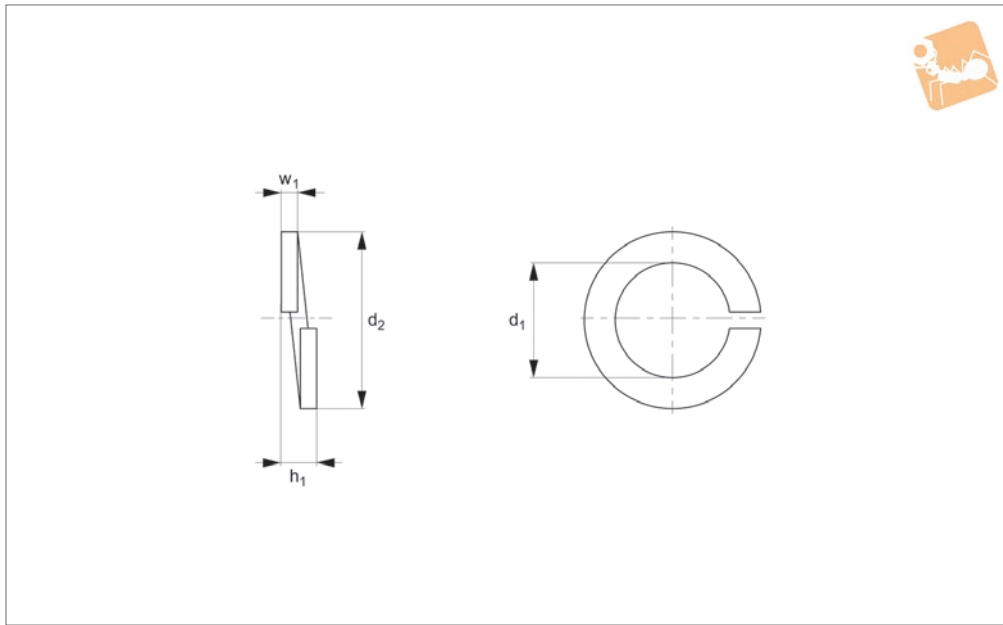




# Spring Washers Square Section

Steel, self-coloured



**P0371.SC**

FLAT WASHERS

### Material

Spring steel, self-colour.

### Technical Notes

To DIN 7980. For screws with cylindrical heads.

Order No.	Thread	d <sub>1</sub>	d <sub>2</sub>	h <sub>1</sub> min.	w <sub>1</sub>	Material
P0371.030-SC	M 3	3.1	5.6	2.0	1.0	Steel SC
P0371.035-SC	M3,5	3.6	6.1	2.0	1.0	Steel SC
P0371.040-SC	M 4	4.1	7.0	2.4	1.2	Steel SC
P0371.050-SC	M 5	5.1	8.8	3.2	1.6	Steel SC
P0371.060-SC	M 6	6.1	9.9	3.2	1.6	Steel SC
P0371.080-SC	M 8	8.1	12.7	4.0	2.0	Steel SC
P0371.100-SC	M10	10.2	16.0	5.0	2.5	Steel SC
P0371.120-SC	M12	12.2	18.0	5.0	2.5	Steel SC
P0371.140-SC	M14	14.2	21.1	6.0	3.0	Steel SC
P0361.160-SC	M16	24.4	24.4	7.0	3.5	Steel SC
P0371.180-SC	M18	18.2	26.4	7.0	3.5	Steel SC
P0371.200-SC	M20	20.2	30.6	9.0	4.5	Steel SC
P0371.220-SC	M22	22.5	32.9	9.0	4.5	Steel SC
P0371.240-SC	M24	24.4	35.9	10.0	5.0	Steel SC
P0371.270-SC	M27	27.5	38.9	10.0	5.0	Steel SC
P0371.300-SC	M30	30.5	44.1	12.0	6.0	Steel SC