

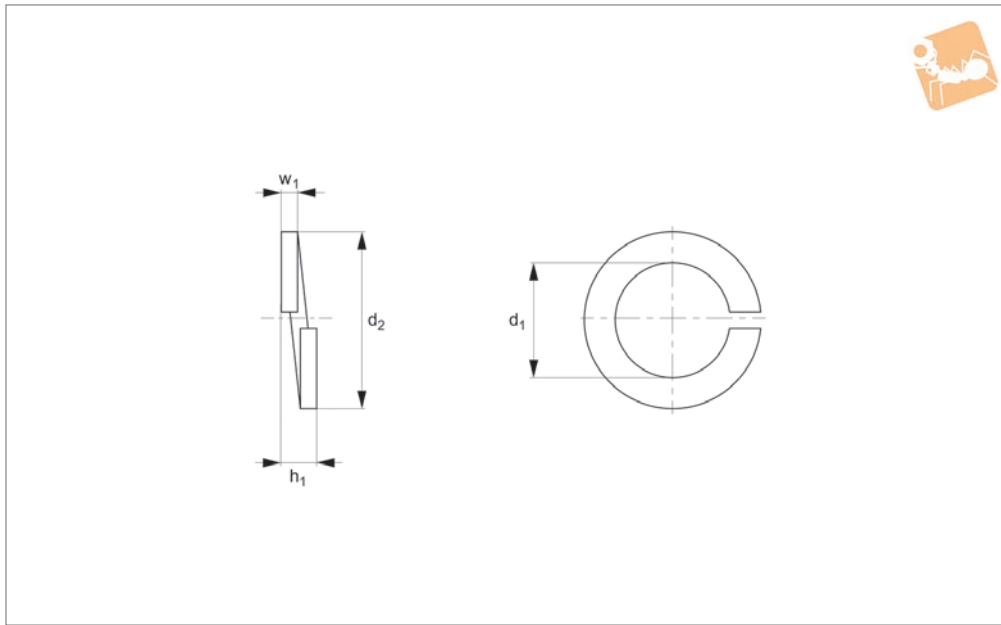


Spring Washers Square Section

A4 stainless



Flat Washers



P0371.A4

FLAT WASHERS

Material

Stainless steel (A4, AISI 316)

Technical Notes

To DIN 7980. For screws with cylindrical heads.

Order No.	Thread	d ₁	d ₂	h ₁ min.	w ₁	Material
P0371.030-A4	M 3	3.1	5.6	2.0	1.0	A4 s/s
P0371.040-A4	M 4	4.1	7.0	2.4	1.2	A4 s/s
P0371.050-A4	M 5	5.1	8.8	3.2	1.6	A4 s/s
P0371.060-A4	M 6	6.1	9.9	3.2	1.6	A4 s/s
P0371.080-A4	M 8	8.1	12.7	4.0	2.0	A4 s/s
P0371.100-A4	M10	10.2	16.0	5.0	2.5	A4 s/s
P0371.120-A4	M12	12.2	18.0	5.0	2.5	A4 s/s
P0371.140-A4	M14	14.2	21.1	6.0	3.0	A4 s/s
P0371.160-A4	M16	16.2	24.4	7.0	3.5	A4 s/s
P0371.180-A4	M18	18.2	26.4	7.0	3.5	A4 s/s
P0371.200-A4	M20	20.2	30.6	9.0	4.5	A4 s/s
P0371.220-A4	M22	22.5	32.9	9.0	4.5	A4 s/s
P0371.240-A4	M24	24.4	35.9	10.0	5.0	A4 s/s
P0371.270-A4	M27	27.5	38.9	10.0	5.0	A4 s/s
P0371.300-A4	M30	30.5	44.1	12.0	6.0	A4 s/s