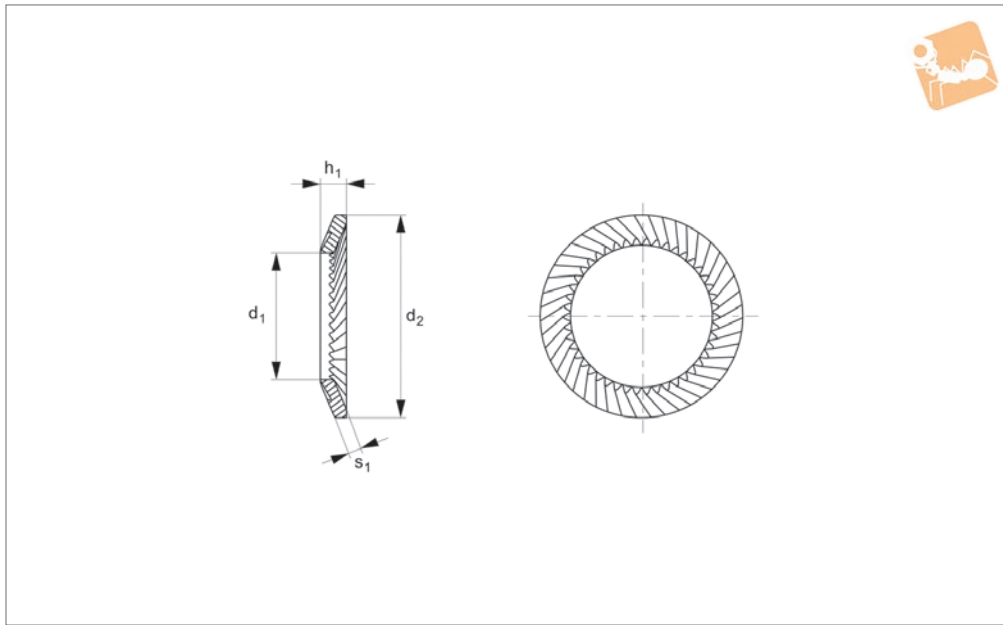




Schnorr Safety Washers

Steel, self-coloured



P0363.SC

FLAT WASHERS

Material

Steel, self-coloured.

Technical Notes

To DIN 17222. Can be used with screws of class 8 and 8.8

Order No.	For thread	d ₁	d ₂	h	Material
P0363.030-SC	M 3	3.2	5.5	0.9	Steel SC
P0363.040-SC	M 4	4.3	7.0	1.0	Steel SC
P0363.050-SC	M 5	5.3	9.0	1.1	Steel SC
P0363.060-SC	M 6	6.4	10.0	1.2	Steel SC
P0363.080-SC	M 8	8.4	13.0	1.4	Steel SC
P0363.100-SC	M10	10.5	16.0	1.6	Steel SC
P0363.120-SC	M12	13.0	18.0	1.7	Steel SC
P0363.140-SC	M14	15.0	22.0	2.0	Steel SC
P0363.160-SC	M16	17.0	24.0	2.1	Steel SC
P0363.180-SC	M18	19.0	27.0	2.3	Steel SC
P0363.200-SC	M20	21.0	30.0	2.5	Steel SC
P0363.220-SC	M22	23.0	33.0	2.7	Steel SC
P0363.240-SC	M24	26.0	36.0	2.9	Steel SC
P0363.270-SC	M27	29.0	39.0	3.1	Steel SC
P0363.300-SC	M30	32.0	45.0	3.6	Steel SC