

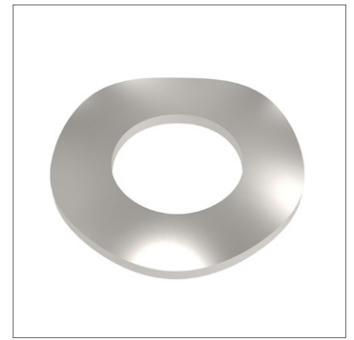
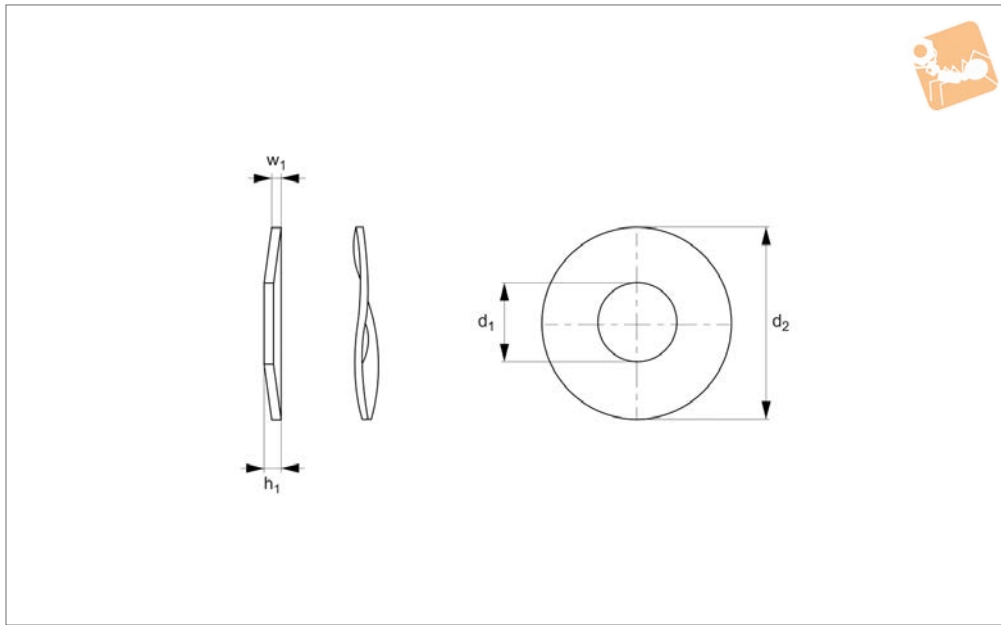


Wave Spring Washers

A2 stainless



Flat Washers



P0361.A2

FLAT WASHERS

Material

Stainless steel (A2, AISI 303).

Technical Notes

To DIN 137 B.

Order No.	For thread	d ₁	d ₂	w ₁	h ₁ max.	Material
P0361.030-A2	M 3	3.2	8	0.5	1.6	A2 s/s
P0361.035-A2	M3,5	3.7	8	0.5	1.8	A2 s/s
P0361.040-A2	M 4	4.3	9	0.5	2.0	A2 s/s
P0361.050-A2	M 5	5.3	11	0.5	2.2	A2 s/s
P0361.060-A2	M 6	6.4	12	0.5	2.6	A2 s/s
P0361.070-A2	M 7	7.4	14	0.8	3.0	A2 s/s
P0361.080-A2	M 8	8.4	15	0.8	3.0	A2 s/s
P0361.100-A2	M10	10.5	21	1.0	4.2	A2 s/s
P0361.120-A2	M12	13	24	1.2	5.0	A2 s/s
P0361.140-A2	M14	15	28	1.6	6.0	A2 s/s
P0361.160-A2	M16	17	30	1.6	6.4	A2 s/s
P0361.180-A2	M18	19	34	1.6	6.6	A2 s/s
P0361.200-A2	M20	21	36	1.6	7.4	A2 s/s
P0361.220-A2	M22	23	40	1.8	7.8	A2 s/s
P0361.240-A2	M24	25	44	1.8	8.2	A2 s/s