

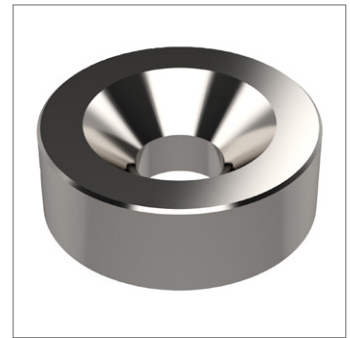
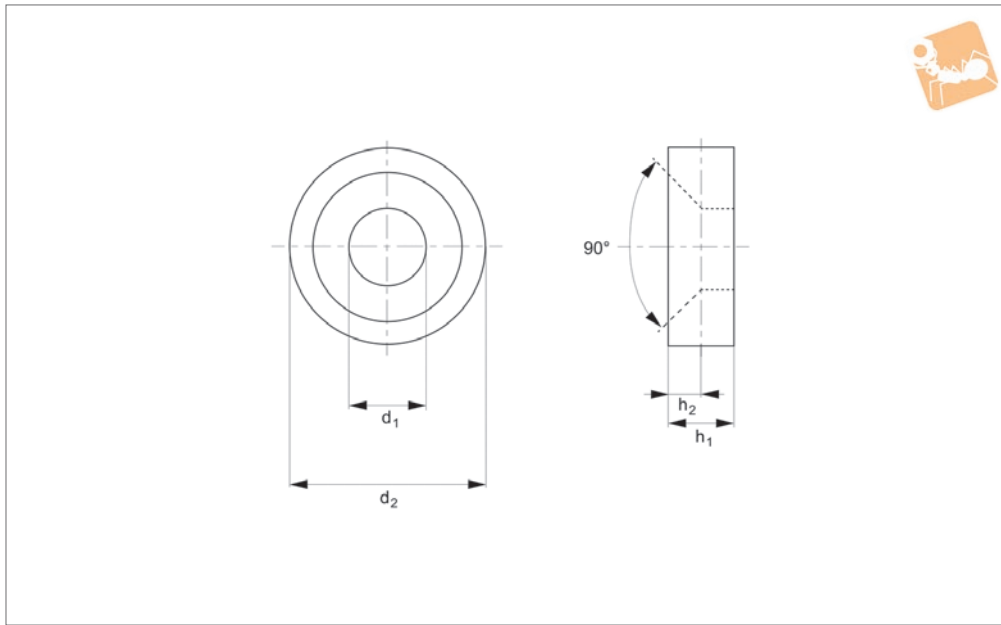


Solid Countersunk Washers

303 stainless



Flat Washers



P0341.A2

FLAT WASHERS

Material

Stainless steel (AISI 303, 1.4305).

Technical Notes

Machined washers made from stainless steel to fit countersunk screws.

Order No.	For thread	d_1 $+0.3 +0.1$	d_2 $+0 -0.2$	h_1 ± 0.1	h_2 ± 0.1
P0341.025-025-A2	M 2,5	2.8	8	2.5	1.8
P0341.025-030-A2	M 2,5	2.8	8	3.0	1.8
P0341.025-040-A2	M 2,5	2.8	8	4.0	1.8
P0341.030-025-A2	M 3	3.5	10	2.5	2.0
P0341.030-030-A2	M 3	3.5	10	3.0	2.0
P0341.030-040-A2	M 3	3.5	10	4.0	2.0
P0341.030-050-A2	M 3	3.5	10	5.0	2.0
P0341.040-025-A2	M 4	4.5	14	2.5	2.7
P0341.040-030-A2	M 4	4.5	14	3.0	2.7
P0341.040-040-A2	M 4	4.5	14	4.0	2.7
P0341.040-050-A2	M 4	4.5	14	5.0	2.7
P0341.050-030-A2	M 5	5.5	16	3.0	3.5
P0341.050-040-A2	M 5	5.5	16	4.0	3.5
P0341.050-050-A2	M 5	5.5	16	5.0	3.5
P0341.050-060-A2	M 5	5.5	16	6.0	3.5
P0341.050-080-A2	M 5	5.5	16	8.0	3.5
P0341.060-035-A2	M 6	6.6	20	3.5	4.0
P0341.060-040-A2	M 6	6.6	20	4.0	4.0
P0341.060-050-A2	M 6	6.6	20	5.0	4.0
P0341.060-060-A2	M 6	6.6	20	6.0	4.0
P0341.060-080-A2	M 6	6.6	20	8.0	4.0
P0341.080-035-A2	M 8	8.4	20	3.5	5.2
P0341.080-040-A2	M 8	8.4	20	4.0	5.2
P0341.080-050-A2	M 8	8.4	20	5.0	5.2
P0341.080-060-A2	M 8	8.4	20	6.0	5.2
P0341.080-080-A2	M 8	8.4	20	8.0	5.2