

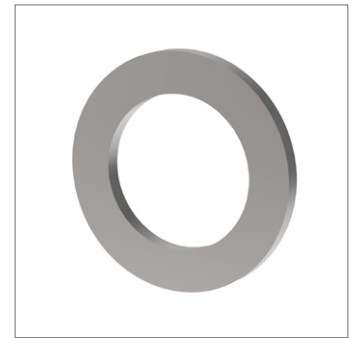
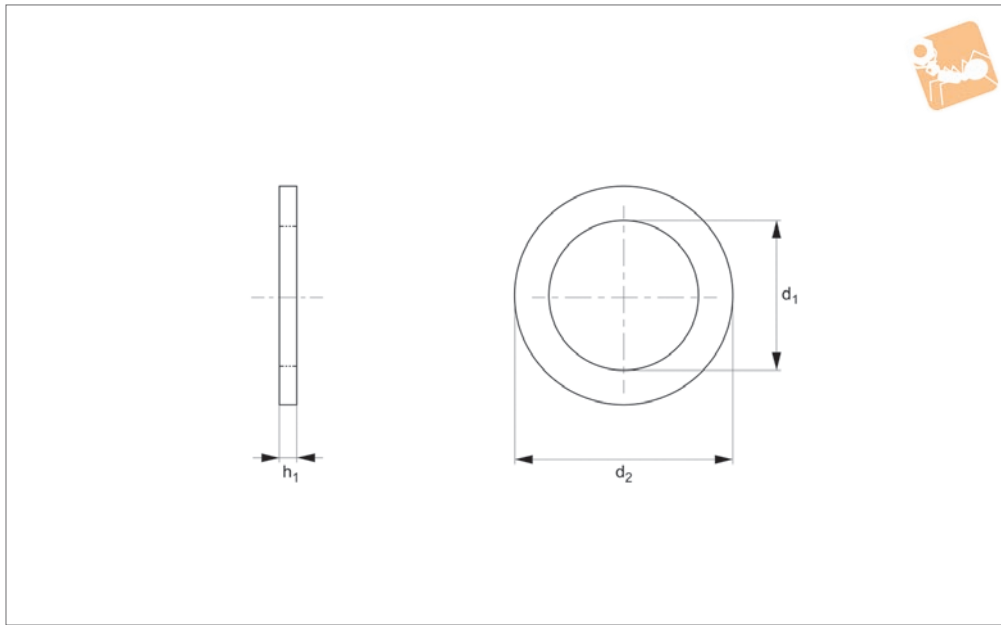


Flat Washer

Steel, zinc-plated



Flat Washers



P0335.ZP

FLAT WASHERS

Material

Steel, zinc plated.

Technical Notes

To DIN 433.

Order No.	d_1	d_2	For thread	h_1	Material
P0335.014-ZP	1.5	3	M1,4	0.3	Steel ZP
P0335.016-ZP	1.7	3.5	M1,6	0.3	Steel ZP
P0335.020-ZP	2.2	4.5	M 2	0.3	Steel ZP
P0335.025-ZP	2.7	5	M2,5	0.5	Steel ZP
P0335.030-ZP	3.2	6	M 3	0.5	Steel ZP
P0335.035-ZP	3.7	7	M3,5	0.5	Steel ZP
P0335.040-ZP	4.3	8	M 4	0.5	Steel ZP
P0335.050-ZP	5.3	9	M 5	1.0	Steel ZP
P0335.060-ZP	6.4	11	M 6	1.6	Steel ZP
P0335.080-ZP	8.4	15	M 8	1.6	Steel ZP
P0335.100-ZP	10.5	18	M10	1.6	Steel ZP
P0335.120-ZP	13	20	M12	2.0	Steel ZP
P0335.140-ZP	15	24	M14	2.5	Steel ZP
P0335.160-ZP	17	28	M16	2.5	Steel ZP
P0335.180-ZP	19	30	M18	2.5	Steel ZP
P0335.200-ZP	21	34	M20	3.0	Steel ZP