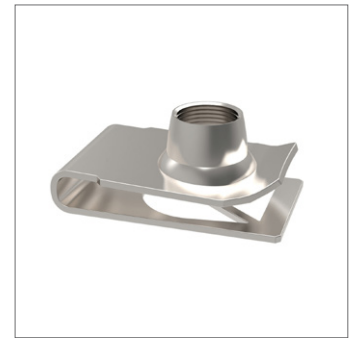
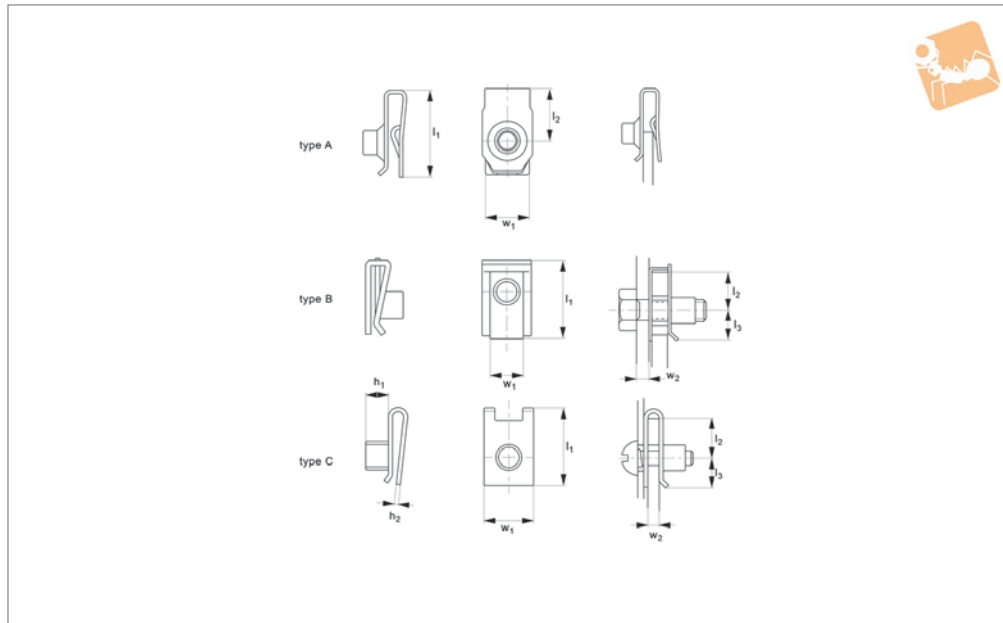




# Sheet Metal Nuts

## lug nuts



**P0326**

NUTS

### Material

Steel, zinc-plated.

### Technical Notes

Lug nuts are used where U nuts are not

strong enough. They provide a degree of adjustment to assist screw alignment.

Select the part number according to the thread required, the thickness of the

preferred material and the type of nut required.

Order No.	For thread	w <sub>1</sub>	l <sub>1</sub>	l <sub>2</sub>	l <sub>3</sub>	h <sub>1</sub>	h <sub>2</sub>	w <sub>2</sub>	Type
P0326.060-040-A1	M 6	0,8-4,0	24,0	12,5	-	-	-	14,2	A
P0326.080-040-A1	M 8	0,8-4,0	26,0	12,0	-	-	-	17,2	A
P0326.100-055-A1	M10	1,5-5,5	32,7	18,0	-	-	-	18,5	A
P0326.040-040-B1	M 4	0,5-4,0	15,0	7,3	7,0	5,0	0,6	10,0	B
P0326.050-040-B2	M 5	0,5-4,0	20,0	11,0	8,8	5,5	0,7	14,0	B
P0326.060-040-B1	M 6	0,5-4,0	18,8	8,4	8,4	7,5	0,8	16,0	B
P0326.060-040-B2	M 6	0,5-4,0	22,2	12,0	9,8	7,0	0,8	15,0	B
P0326.080-040-B2	M 8	0,5-4,0	24,3	13,0	10,8	9,0	1,0	17,0	B
P0326.040-015-C1	M 4	0,5-1,5	15,5	7,5	6,5	4,5	0,8	12,0	C
P0326.040-020-C1	M 4	0,5-2,0	15,5	7,5	6,5	4,5	0,8	12,0	C
P0326.050-015-C1	M 5	0,5-1,5	15,5	7,5	6,5	5,0	0,8	12,0	C
P0326.050-020-C1	M 5	0,5-2,0	15,5	7,5	6,5	5,0	0,8	12,0	C
P0326.060-015-C1	M 6	0,5-1,5	15,5	7,5	6,5	5,5	0,8	12,0	C
P0326.060-020-C1	M 6	0,5-2,0	15,5	7,5	6,5	5,5	0,8	12,0	C
P0326.050-040-B1	M 5	0,5-4,0	15,0	7,3	7,0	5,5	0,6	12,0	B