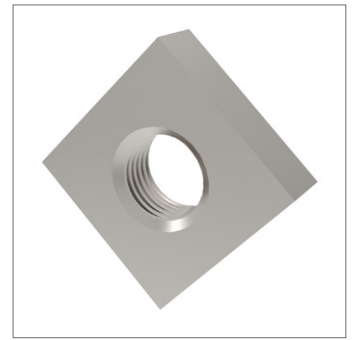
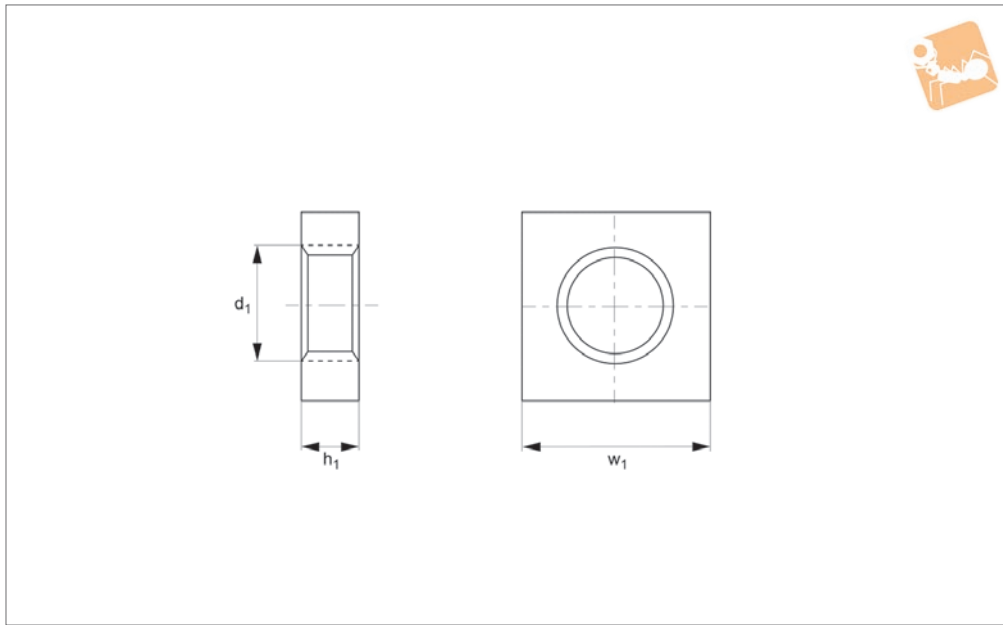




Square Nuts

A2 stainless



P0323.A2

NUTS

Material

Stainless steel (A2).

Technical Notes

To DIN 562. Standard metric coarse threads.

Order No.	d ₁	w ₁	h ₁ min.	Material
P0323.020-A2	M 2	4	1.2	A2 s/s
P0323.025-A2	M2,5	5	1.6	A2 s/s
P0323.030-A2	M 3	5.5	1.8	A2 s/s
P0323.040-A2	M 4	7	2.2	A2 s/s
P0323.050-A2	M 5	8	2.7	A2 s/s
P0323.060-A2	M 6	10	3.2	A2 s/s
P0323.080-A2	M 8	13	4.0	A2 s/s
P0323.100-A2	M10	16	5.0	A2 s/s