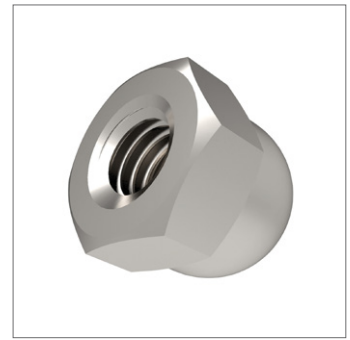
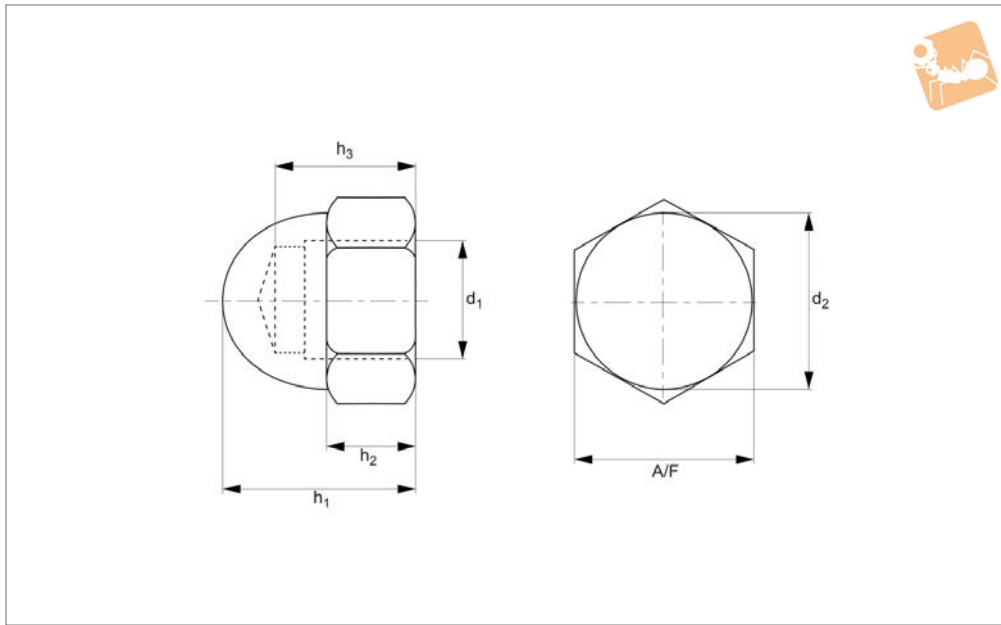




# Hexagon Domed Nuts

Steel, zinc-plated



**P0318.ZP**

NUTS

### Material

Steel (class 8), zinc-plated.

### Technical Notes

To DIN 1587.

Order No.	$d_1$	$h_1$ max.	$h_2$ max.	$h_3$	$d_2$	A/F	Material
P0318.040-ZP	M 4	8	3.2	5.5	7.0	8.0	Steel ZP
P0318.050-ZP	M 5	10	4.0	7.5	8.0	10.0	Steel ZP
P0318.060-ZP	M 6	12	5.0	8.0	10.0	12.0	Steel ZP
P0318.080-ZP	M 8	15	6.5	11.0	13.0	15.0	Steel ZP
P0318.100-ZP	M10	18	8.0	13.0	17.0	20.0	Steel ZP
P0318.120-ZP	M12	22	10	16.0	19.0	25.0	Steel ZP
P0318.160-ZP	M16	28	13	21.0	24.0	30.0	Steel ZP
P0318.200-ZP	M20	34	16	26.0	30.0	35.0	Steel ZP
P0318.240-ZP	M24	42	19	31.0	36.0	40.0	Steel ZP
P0318.270-ZP	M27	47	22	35.0	41.0	50.0	Steel ZP