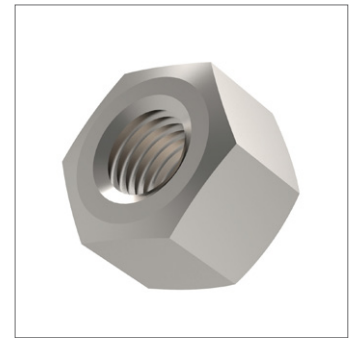
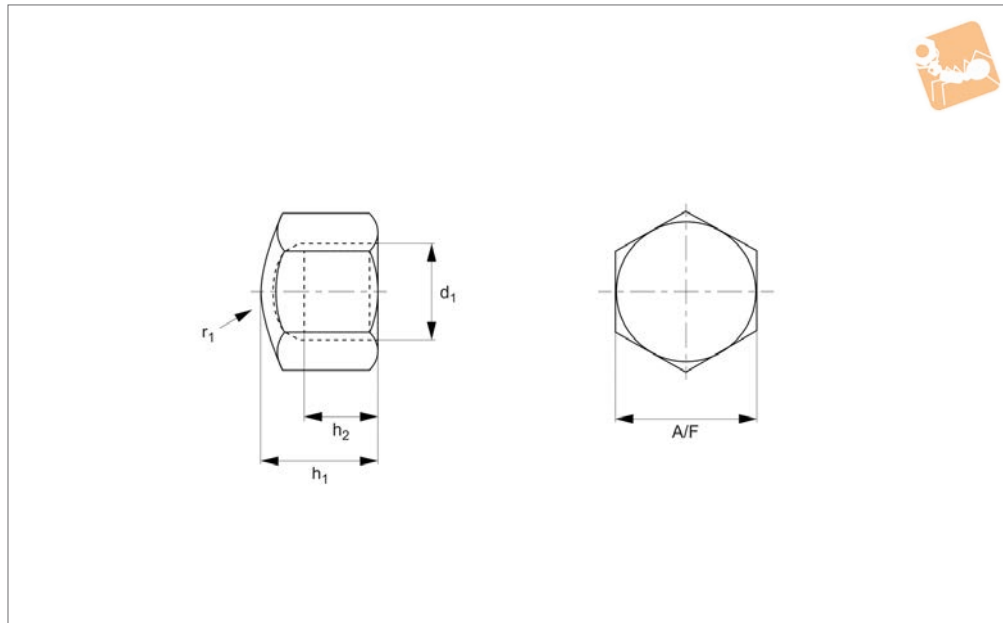




Hexagon Cap Nuts

Steel, zinc-plated



P0317.ZP

NUTS

Material

Steel (class 6), zinc-plated.

Technical Notes

To DIN 917.

Order No.	d_1	h_1	h_2 min.	A/F	r_1	Material
P0317.030-ZP	M 3	5	3	5.5	-	Steel ZP
P0317.040-ZP	M 4	5.5	4.4	7	8	Steel ZP
P0317.050-ZP	M 5	7	5.2	8	10	Steel ZP
P0317.060-ZP	M 6	9	7	10	12	Steel ZP
P0317.080-ZP	M 8	12	9.5	13	15	Steel ZP
P0317.100-ZP	M10	14	11	17	20	Steel ZP
P0317.120-ZP	M12	16	13.5	19	25	Steel ZP
P0317.140-ZP	M14	18	15	22	28	Steel ZP
P0317.160-ZP	M16	20	17	24	30	Steel ZP
P0317.180-ZP	M18	22	19	27	32	Steel ZP
P0317.200-ZP	M20	25	21	30	35	Steel ZP
P0317.220-ZP	M22	28	22	32	35	Steel ZP
P0317.240-ZP	M24	30	24	36	40	Steel ZP
P0317.270-ZP	M27	32	26	41	50	Steel ZP
P0317.300-ZP	M30	34	28	46	60	Steel ZP