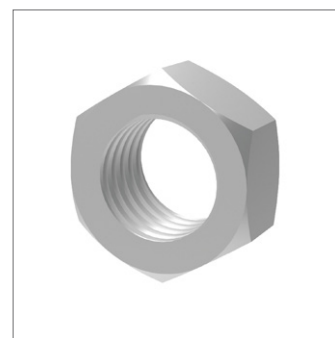
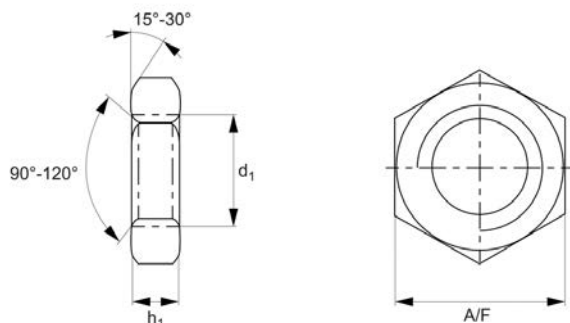
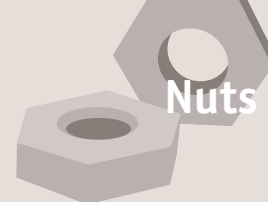


# Lock Nuts Fine Thread

Steel, zinc-plated



**P0306.ZP**

NUTS

### Material

Steel (class 4), zinc-plated.

### Technical Notes

To DIN 439. Fine pitch threads.  
For coarse thread lock nuts see P0305.

Order No.	$d_1$	$h_1$	A/F	Material
P0306.080-100-ZP	M 8x1,0	3.7	13	Steel ZP
P0306.100-100-ZP	M10x1,0	4.7	17	Steel ZP
P0306.100-125-ZP	M10x1,25	4.7	17	Steel ZP
P0306.120-125-ZP	M12x1,25	5.7	19	Steel ZP
P0306.120-150-ZP	M12x1,5	5.7	19	Steel ZP
P0306.140-150-ZP	M14x1,5	6.42	22	Steel ZP
P0306.160-150-ZP	M16x1,5	7.42	24	Steel ZP
P0306.180-150-ZP	M18x1,5	8.42	27	Steel ZP
P0306.200-150-ZP	M20x1,5	9.1	30	Steel ZP
P0306.200-200-ZP	M20x2,0	9.1	30	Steel ZP
P0306.220-150-ZP	M22x1,5	9.9	34	Steel ZP
P0306.240-150-ZP	M24x1,5	10.9	36	Steel ZP
P0306.240-200-ZP	M24x2,0	10.9	36	Steel ZP
P0306.270-150-ZP	M27x1,5	12.4	41	Steel ZP
P0306.270-200-ZP	M27x2,0	12.4	41	Steel ZP
P0306.300-150-ZP	M30x1,5	13.9	46	Steel ZP
P0306.300-200-ZP	M30x2,0	13.9	46	Steel ZP
P0306.330-200-ZP	M33x2,0	15.4	49	Steel ZP
P0306.360-150-ZP	M36x1,5	16.9	55	Steel ZP
P0306.360-200-ZP	M36x2,0	16.9	55	Steel ZP
P0306.360-300-ZP	M36x3,0	16.9	55	Steel ZP