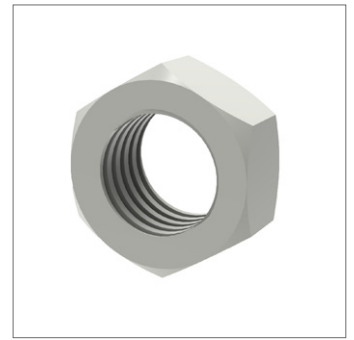
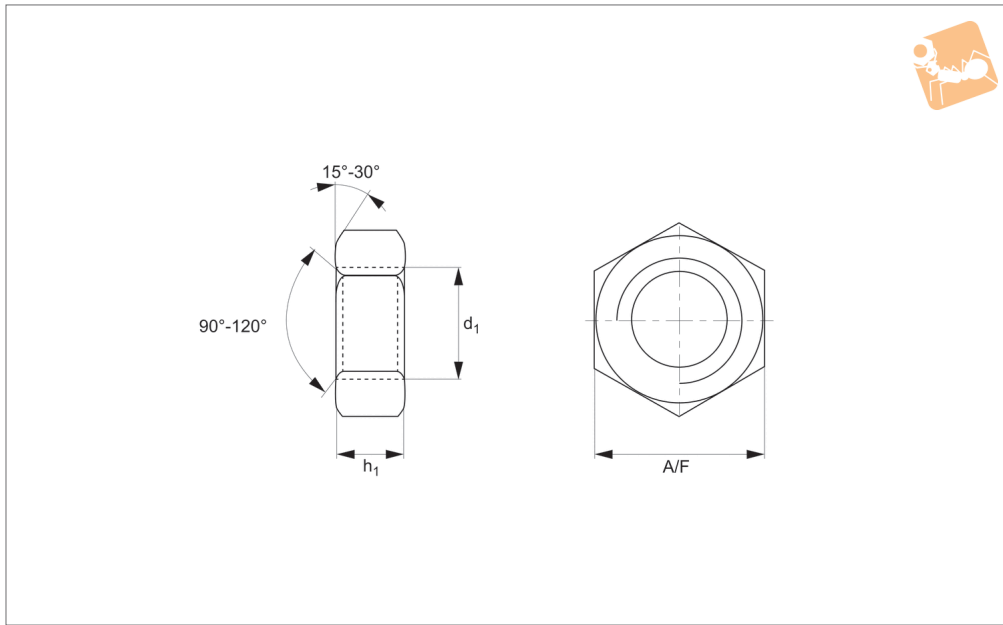




Full Nuts Coarse Thread Nylon



P0301.NL

NUTS

Material
Nylon.

threads.
For fine thread full nuts see P0302.

Technical Notes

To DIN 934. Standard metric coarse pitch

Order No.	d ₁	h ₁ min.	A/F	Material
P0301.030-NL	M 3	2.15	5.5	Nylon
P0301.040-NL	M 4	2.9	7	Nylon
P0301.050-NL	M 5	3.7	8	Nylon
P0301.060-NL	M 6	4.7	10	Nylon
P0301.080-NL	M 8	6.14	13	Nylon
P0301.100-NL	M10	7.64	17	Nylon
P0301.120-NL	M12	9.64	19	Nylon