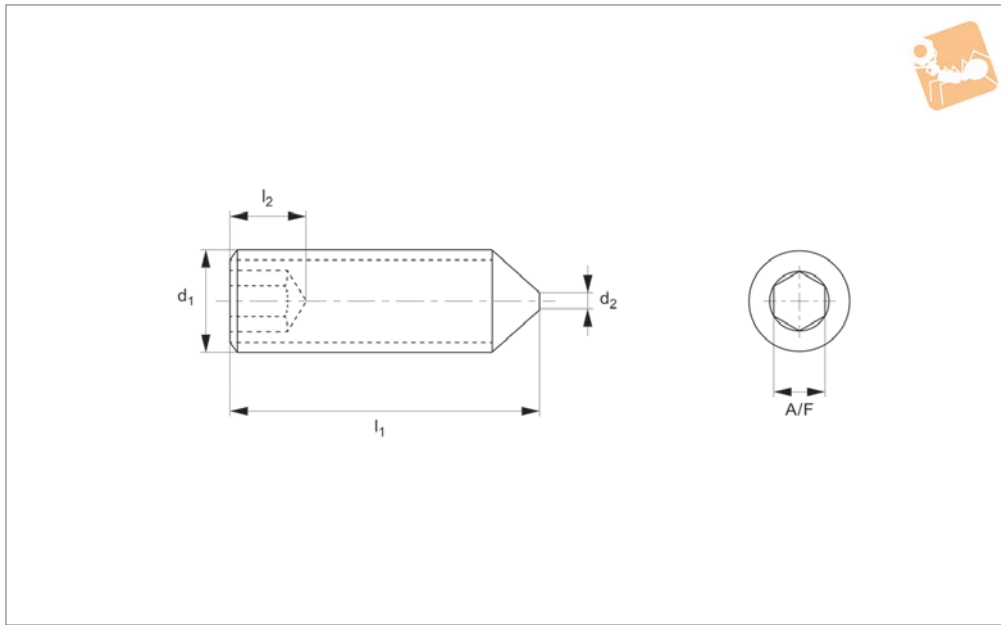




Socket Set Screws Cone Point

Cone Point - steel, zinc-plated

Standard Screws



P0273.ZP

STANDARD SCREWS

Material

Steel, zinc-plated (class 45H).

Technical Notes

To DIN 914, cone point.

Order No.	d ₁	l ₁	d ₂	l ₂ min.	A/F
P0273.020-002-ZP	M 2	2	-	0.8	0.9
P0273.020-003-ZP	M 2	3	-	0.8	0.9
P0273.020-004-ZP	M 2	4	-	0.8	0.9
P0273.020-005-ZP	M 2	5	-	0.8	0.9
P0273.020-006-ZP	M 2	6	-	0.8	0.9
P0273.020-008-ZP	M 2	8	-	0.8	0.9
P0273.020-010-ZP	M 2	10	-	0.8	0.9
P0273.020-012-ZP	M 2	12	-	0.8	0.9
P0273.020-014-ZP	M 2	14	-	0.8	0.9
P0273.020-016-ZP	M 2	16	-	0.8	0.9
P0273.025-003-ZP	M2,5	3	-	1.2	1.3
P0273.025-004-ZP	M2,5	4	-	1.2	1.3
P0273.025-005-ZP	M2,5	5	-	1.2	1.3
P0273.025-006-ZP	M2,5	6	-	1.2	1.3
P0273.025-008-ZP	M2,5	8	-	1.2	1.3
P0273.025-010-ZP	M2,5	10	-	1.2	1.3
P0273.025-012-ZP	M2,5	12	-	1.2	1.3
P0273.025-014-ZP	M2,5	14	-	1.2	1.3
P0273.025-016-ZP	M2,5	16	-	1.2	1.3
P0273.030-003-ZP	M 3	3	-	1.2	1.5
P0273.030-004-ZP	M 3	4	-	1.2	1.5
P0273.030-005-ZP	M 3	5	-	1.2	1.5
P0273.030-006-ZP	M 3	6	-	1.2	1.5
P0273.030-008-ZP	M 3	8	-	1.2	1.5
P0273.030-010-ZP	M 3	10	-	1.2	1.5
P0273.030-012-ZP	M 3	12	-	1.2	1.5
P0273.030-014-ZP	M 3	14	-	1.2	1.5
P0273.030-016-ZP	M 3	16	-	1.2	1.5
P0273.030-020-ZP	M 3	20	-	1.2	1.5
P0273.030-025-ZP	M 3	25	-	1.2	1.5
P0273.030-030-ZP	M 3	30	-	1.2	1.5
P0273.040-003-ZP	M 4	3	-	1.5	2.0
P0273.040-004-ZP	M 4	4	-	1.5	2.0
P0273.040-005-ZP	M 4	5	-	1.5	2.0



Order No.	d ₁	l ₁	d ₂	l ₂ min.	A/F
P0273.040-006-ZP	M 4	6	-	1.5	2.0
P0273.040-008-ZP	M 4	8	-	1.5	2.0
P0273.040-010-ZP	M 4	10	-	1.5	2.0
P0273.040-012-ZP	M 4	12	-	1.5	2.0
P0273.040-014-ZP	M 4	14	-	1.5	2.0
P0273.040-016-ZP	M 4	16	-	1.5	2.0
P0273.040-020-ZP	M 4	20	-	1.5	2.0
P0273.040-025-ZP	M 4	25	-	1.5	2.0
P0273.040-030-ZP	M 4	30	-	1.5	2.0
P0273.040-035-ZP	M 4	35	-	1.5	2.0
P0273.040-040-ZP	M 4	40	-	1.5	2.0
P0273.050-005-ZP	M 5	5	-	2.0	2.5
P0273.050-006-ZP	M 5	6	-	2.0	2.5
P0273.050-008-ZP	M 5	8	-	2.0	2.5
P0273.050-010-ZP	M 5	10	-	2.0	2.5
P0273.050-012-ZP	M 5	12	-	2.0	2.5
P0273.050-014-ZP	M 5	14	-	2.0	2.5
P0273.050-016-ZP	M 5	16	-	2.0	2.5
P0273.050-020-ZP	M 5	20	-	2.0	2.5
P0273.050-025-ZP	M 5	25	-	2.0	2.5
P0273.050-030-ZP	M 5	30	-	2.0	2.5
P0273.050-035-ZP	M 5	35	-	2.0	2.5
P0273.050-040-ZP	M 5	40	--	2.0	2.5
P0273.050-050-ZP	M 5	50	-	2.0	2.5
P0273.060-004-ZP	M 6	4	1.5	2.0	3.0
P0273.060-005-ZP	M 6	5	1.5	2.0	3.0
P0273.060-006-ZP	M 6	6	1.5	2.0	3.0
P0273.060-008-ZP	M 6	8	1.5	2.0	3.0
P0273.060-010-ZP	M 6	10	1.5	2.0	3.0
P0273.060-012-ZP	M 6	12	1.5	2.0	3.0
P0273.060-014-ZP	M 6	14	1.5	2.0	3.0
P0273.060-016-ZP	M 6	16	1.5	2.0	3.0
P0273.060-018-ZP	M 6	18	1.5	2.0	3.0
P0273.060-020-ZP	M 6	20	1.5	2.0	3.0
P0273.060-025-ZP	M 6	25	1.5	2.0	3.0
P0273.060-030-ZP	M 6	30	1.5	2.0	3.0
P0273.060-035-ZP	M 6	35	1.5	2.0	3.0
P0273.060-040-ZP	M 6	40	1.5	2.0	3.0
P0273.060-045-ZP	M 6	45	1.5	2.0	3.0
P0273.060-050-ZP	M 6	50	1.5	2.0	3.0
P0273.080-006-ZP	M 8	6	2.0	3.0	4.0
P0273.080-008-ZP	M 8	8	2.0	3.0	4.0
P0273.080-010-ZP	M 8	10	2.0	3.0	4.0
P0273.080-012-ZP	M 8	12	2.0	3.0	4.0
P0273.080-014-ZP	M 8	14	2.0	3.0	4.0
P0273.080-016-ZP	M 8	16	2.0	3.0	4.0
P0273.080-018-ZP	M 8	18	2.0	3.0	4.0
P0273.080-020-ZP	M 8	20	2.0	3.0	4.0
P0273.080-025-ZP	M 8	25	2.0	3.0	4.0
P0273.080-030-ZP	M 8	30	2.0	3.0	4.0
P0273.080-035-ZP	M 8	35	2.0	3.0	4.0
P0273.080-040-ZP	M 8	40	2.0	3.0	4.0
P0273.080-050-ZP	M 8	50	2.0	3.0	4.0
P0273.080-060-ZP	M 8	60	2.0	3.0	4.0
P0273.100-010-ZP	M10	10	2.5	4.0	5.0
P0273.100-012-ZP	M10	12	2.5	4.0	5.0
P0273.100-016-ZP	M10	16	2.5	4.0	5.0
P0273.100-020-ZP	M10	20	2.5	4.0	5.0
P0273.100-025-ZP	M10	25	2.5	4.0	5.0
P0273.100-030-ZP	M10	30	2.5	4.0	5.0
P0273.100-035-ZP	M10	35	2.5	4.0	5.0
P0273.100-040-ZP	M10	40	2.5	4.0	5.0
P0273.100-045-ZP	M10	45	2.5	4.0	5.0
P0273.100-050-ZP	M10	50	2.5	4.0	5.0
P0273.100-055-ZP	M10	55	2.5	4.0	5.0
P0273.100-060-ZP	M10	60	2.5	4.0	5.0
P0273.100-070-ZP	M10	70	2.5	4.0	5.0
P0273.100-080-ZP	M10	80	2.5	4.0	5.0



Socket Set Screws Cone Point

Cone Point - steel, zinc-plated

Standard Screws



Order No.	d ₁	l ₁	d ₂	l ₂ min.	A/F
P0273.120-012-ZP	M12	12	3.0	4.8	5.0
P0273.120-016-ZP	M12	16	3.0	4.8	5.0
P0273.120-020-ZP	M12	20	3.0	4.8	5.0
P0273.120-025-ZP	M12	25	3.0	4.8	5.0
P0273.120-030-ZP	M12	30	3.0	4.8	5.0
P0273.120-035-ZP	M12	35	3.0	4.8	5.0
P0273.120-040-ZP	M12	40	3.0	4.8	5.0
P0273.120-045-ZP	M12	45	3.0	4.8	5.0
P0273.120-050-ZP	M12	50	3.0	4.8	5.0
P0273.120-055-ZP	M12	55	3.0	4.8	5.0
P0273.120-060-ZP	M12	60	3.0	4.8	5.0
P0273.120-070-ZP	M12	70	3.0	4.8	5.0
P0273.120-080-ZP	M12	80	3.0	4.8	5.0
P0273.120-090-ZP	M12	90	3.0	4.8	5.0
P0273.160-016-ZP	M16	16	4.0	6.4	8.0
P0273.160-020-ZP	M16	20	4.0	6.4	8.0
P0273.160-025-ZP	M16	25	4.0	6.4	8.0
P0273.160-030-ZP	M16	30	4.0	6.4	8.0
P0273.160-035-ZP	M16	35	4.0	6.4	8.0
P0273.160-040-ZP	M16	40	4.0	6.4	8.0
P0273.160-045-ZP	M16	45	4.0	6.4	8.0
P0273.160-050-ZP	M16	50	4.0	6.4	8.0
P0273.160-055-ZP	M16	55	4.0	6.4	8.0
P0273.160-060-ZP	M16	60	4.0	6.4	8.0
P0273.160-070-ZP	M16	70	4.0	6.4	8.0
P0273.160-080-ZP	M16	80	4.0	6.4	8.0
P0273.160-090-ZP	M16	90	4.0	6.4	8.0
P0273.160-100-ZP	M16	100	4.0	6.4	8.0
P0273.200-020-ZP	M20	20	5.0	8.0	10.0
P0273.200-025-ZP	M20	25	5.0	8.0	10.0
P0273.200-030-ZP	M20	30	5.0	8.0	10.0
P0273.200-035-ZP	M20	35	5.0	8.0	10.0
P0273.200-040-ZP	M20	40	5.0	8.0	10.0
P0273.200-045-ZP	M20	45	5.0	8.0	10.0
P0273.200-050-ZP	M20	50	5.0	8.0	10.0
P0273.200-055-ZP	M20	55	5.0	8.0	10.0
P0273.200-060-ZP	M20	60	5.0	8.0	10.0
P0273.200-070-ZP	M20	70	5.0	8.0	10.0
P0273.200-080-ZP	M20	80	5.0	8.0	10.0
P0273.200-090-ZP	M20	90	5.0	8.0	10.0
P0273.200-100-ZP	M20	100	5.0	8.0	10.0

STANDARD SCREWS