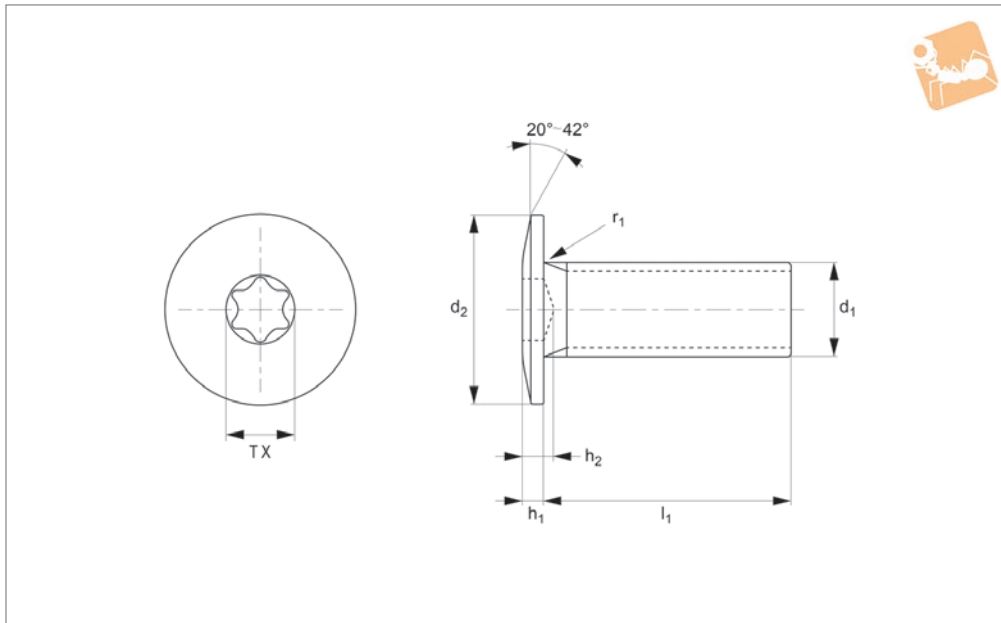




# Ultra Low Head Cap Screws

TX drive - 303 stainless - blackened

## Standard Screws



**P0209.B2**

STANDARD SCREWS

**Material**

Stainless steel (AISI 303, 1.4305), with black oxide coating. Tensile strength ~ 350N/mm<sup>2</sup>

(except for M2 ~ 200Nmm<sup>2</sup>).

**Technical Notes**

Ultra low head is extremely low profile.

They do not require a countersunk location hole.

Most suitable for machine and equipment applications with minimal clearance.

Order No.	d <sub>1</sub>	d <sub>2</sub>	h <sub>1</sub>	h <sub>2</sub> max.	l <sub>1</sub>	r <sub>1</sub> max.	TX size	Torque to Nm max.
P0209.020-003-B2	M 2	4	0.5	1.5	3	0.3	TX-4	0.18
P0209.020-004-B2	M 2	4	0.5	1.5	4	0.3	TX-4	0.18
P0209.020-005-B2	M 2	4	0.5	1.5	5	0.3	TX-4	0.18
P0209.020-006-B2	M 2	4	0.5	1.5	6	0.3	TX-4	0.18
P0209.020-008-B2	M 2	4	0.5	1.5	8	0.3	TX-4	0.18
P0209.020-010-B2	M 2	4	0.5	1.5	10	0.3	TX-4	0.18
P0209.020-012-B2	M 2	4	0.5	1.5	12	0.3	TX-4	0.18
P0209.025-003-B2	M 2,5	6	0.6	1.6	3	0.3	TX-5	0.36
P0209.025-004-B2	M 2,5	6	0.6	1.6	4	0.3	TX-5	0.36
P0209.025-005-B2	M 2,5	6	0.6	1.6	5	0.3	TX-5	0.36
P0209.025-006-B2	M 2,5	6	0.6	1.6	6	0.3	TX-5	0.36
P0209.025-008-B2	M 2,5	6	0.6	1.6	8	0.3	TX-5	0.36
P0209.025-010-B2	M 2,5	6	0.6	1.6	10	0.3	TX-5	0.36
P0209.025-012-B2	M 2,5	6	0.6	1.6	12	0.3	TX-5	0.36
P0209.030-005-B2	M 3	7	0.8	2.0	5	0.4	TX-6	0.63
P0209.030-006-B2	M 3	7	0.8	2.0	6	0.4	TX-6	0.63
P0209.030-008-B2	M 3	7	0.8	2.0	8	0.4	TX-6	0.63
P0209.030-010-B2	M 3	7	0.8	2.0	10	0.4	TX-6	0.63
P0209.030-012-B2	M 3	7	0.8	2.0	12	0.4	TX-6	0.63
P0209.030-016-B2	M 3	7	0.8	2.0	16	0.4	TX-6	0.63
P0209.040-006-B2	M 4	8	0.9	2.5	6	0.5	TX-8	1.50
P0209.040-008-B2	M 4	8	0.9	2.5	8	0.5	TX-8	1.50
P0209.040-010-B2	M 4	8	0.9	2.5	10	0.5	TX-8	1.50
P0209.040-012-B2	M 4	8	0.9	2.5	12	0.5	TX-8	1.50
P0209.040-016-B2	M 4	8	0.9	2.5	16	0.5	TX-8	1.50
P0209.040-020-B2	M 4	8	0.9	2.5	20	0.5	TX-8	1.50
P0209.040-025-B2	M 4	8	0.9	2.5	25	0.5	TX-8	1.50
P0209.050-008-B2	M 5	9	1.0	3.0	8	0.6	TX-10	3.00
P0209.050-010-B2	M 5	9	1.0	3.0	10	0.6	TX-10	3.00
P0209.050-012-B2	M 5	9	1.0	3.0	12	0.6	TX-10	3.00
P0209.050-016-B2	M 5	9	1.0	3.0	16	0.6	TX-10	3.00
P0209.050-020-B2	M 5	9	1.0	3.0	20	0.6	TX-10	3.00
P0209.050-025-B2	M 5	9	1.0	3.0	25	0.6	TX-10	3.00



STANDARD SCREWS

Order No.	d <sub>1</sub>	d <sub>2</sub>	h <sub>1</sub>	h <sub>2</sub> max.	l <sub>1</sub>	r <sub>1</sub> max.	TX size	Torque to Nm max.
P0209.050-030-B2	M 5	9	1.0	3.0	30	0.6	TX-10	3.00
P0209.050-035-B2	M 5	9	1.0	3.0	35	0.6	TX-10	3.00
P0209.060-008-B2	M 6	12	1.2	3.5	8	0.7	TX-20	5.20
P0209.060-010-B2	M 6	12	1.2	3.5	10	0.7	TX-20	5.20
P0209.060-012-B2	M 6	12	1.2	3.5	12	0.7	TX-20	5.20
P0209.060-016-B2	M 6	12	1.2	3.5	16	0.7	TX-20	5.20
P0209.060-020-B2	M 6	12	1.2	3.5	20	0.7	TX-20	5.20
P0209.060-025-B2	M 6	12	1.2	3.5	25	0.7	TX-20	5.20
P0209.060-030-B2	M 6	12	1.2	3.5	30	0.7	TX-20	5.20
P0209.060-035-B2	M 6	12	1.2	3.5	35	0.7	TX-20	5.20
P0209.060-040-B2	M 6	12	1.2	3.5	40	0.7	TX-20	5.20